



# Spare Parts Catalog

16 S 151  
KAMAZ PUBLIC JOINT STOCK COMPANY

Material number: 1315.051.712



Pos.	Information	Amendment number
001	Use case -----	
002	Customer KAMAZ PUBLIC JOINT STOCK COMPANY	
003	City Naberezhnye Chelny	
004	DUNS 64-493-2113	
005	Vehicle / Apparatus -----	
006	Sales Name KAMAZ 6520	
007	Manufacturer KAMAZ PUBLIC JOINT STOCK COMPANY	
008	Engineering Name	
009	Product Use TRUCK	
010	Vehicle/Hardware Type DUMPER	
011	SOP	
012	Engine	
013	Sales Name	
014	Manufacturer KAMAZ PUBLIC JOINT STOCK COMPANY	
015	Eng.Displ.	
016	Cylinder	
017	Nom. power 265 kW	
018	RPM at nom. power 2200 1/min	
019	Nom. torque 1430 Nm	
020	RPM at nom. torque 1300 1/min	
021	Classification use case -----	
022	APPROVAL NOTE 1 ERSTEINBAU*UEBERPRUEFG.DURCHGEFUEHRT	
024	DESIGNATION, CLUTCH MFZ430	
025	MANUFACTURER, CLUTCH ZF-SACHS	
026	TOTAL NUMBER OF WHEELS 6	
027	NUMBER OF DRIVING WHEELS 4	
028	DYNAMIC TYRE RADIUS 546 mm	
029	REAR AXLE RATIO 6.33	
033	PERMISS.GROSS VEHICLE WEIGHT 33 t	
035	Product description -----	
036	INSTALLATION POS TRANSMISSION HORIZONTAL LEFT	
037	TRANSMISSION ATTACHMENT FLANGE-MOUNTED	



Pos.	Information	Amendment number
039	RATIO, BOTTOM GEAR 13.8	
040	RATIO, TOP GEAR .84	
041	RATIO, 1ST GEAR 13.8	
042	RATIO, 2ND GEAR 11.54	
043	RATIO, 3RD GEAR 9.49	
044	RATIO, 4TH GEAR 7.93	
045	RATIO, 5TH GEAR 6.53	
046	RATIO, 6TH GEAR 5.46	
047	RATIO, 7TH GEAR 4.57	
048	RATIO, 8TH GEAR 3.82	
049	RATIO, 9TH GEAR 3.02	
050	RATIO, 10TH GEAR 2.53	
051	RATIO, 11TH GEAR 2.08	
052	RATIO, 12TH GEAR 1.74	
053	RATIO, 13TH GEAR 1.43	
054	RATIO, 14TH GEAR 1.2	
055	RATIO, 15TH GEAR 1	
056	RATIO, 16TH GEAR .84	
057	RATIO, 1ST GEAR REVERSE 12.92	
058	RATIO, 2ND GEAR REVERSE 10.8	
059	SET OF RATIOS SG	
060	UEBERSETZUNGSREIHE BASIS DG	
061	NUMBER OF PLANETARY GEARS 5	
062	UEBERSETZUNG PLANETENSATZ 4.565	
063	AUSF VERZAHNUNG PLANETENSATZ OBLIQUE TOOTHING	
064	DESIGN, SHIFT SYSTEM TURNING SHAFT	
065	POSITION, GEAR SHIFT SYSTEM HORIZONTAL LEFT	
066	DESIGN, SHIFT PATTERN H-H	
067	VERSION SHIFT SUPPORT WITHOUT GROOVE	
068	VERSION ACTUATION SHIFT SYSTEM MECHANICAL	
070	AUSFUEHRUNG ROHR GP PLASTIC-FORM-PIPE	
082	DESIGN, THROTTLE, CUT-OFF VALVE D=1.55	



Pos.	Information	Amendment number
083	AUSF LUFTANSCHL ABSCHALTVENTIL F	
084	MONTAGEHINWEIS ABSCHALTVENTIL CUT-OFF VALVE	
087	SELECTION PATTERN VARIANT GEAR SHIFT PATTERN 1	
091	DESIGN, SEPARATING CLUTCH FULL-SYNCHRONIZED	
092	VERSION OF SYNCHRONIZER 1 1.+2.GEAR DK-SYNCHRONIZATION	
093	VERSION OF SYNCHRONIZER 2 3.+4.GEAR BK-SYNCHRONIZATION	
094	REFERENCE LENGTH INPUT SHAFT 109 mm	
095	STANDARD TYPE INPUT SHAFT SAE	
096	NUMBER OF WEDGES INPUT SHAFT 10	
099	VERSION OF INPUT SHAFT FORM C	
100	NOMINAL DIAMETER INPUT SHAFT 2 in	
102	DIAMETER, JOURNAL, INPUT SHAFT 25 mm	
103	TYPE FIT SPIGOTS INPUT SHAFT F7	
104	VER. BEAR. SPIGOTS INPUT SHAFT TAPER ROLLER	
105	LENGTH, INPUT SHAFT 382.5 mm	
106	DIAMETER SHAFT OF INPUT SHAFT 50.3 mm	
107	LENGTH, PROFILE, INPUT SHAFT 120 mm	
108	BUSH VARIANT INPUT SHAFT WITHOUT GROOVE	
109	AUSF LAGERUNG KONSTANTE 1 GL	
110	D-LAGER ANTRIEBSWELLE 99.916 mm	
111	PASSUNGSART LAGER ANTR.WELLE H5	
113	DESIGN,CONN., CLUTCH HOUSING SAE 1	
118	AUSFUEHRUNG KUPPLUNGSGEHAEUSE INTEGRATED	
119	DESIGN BEARING OUTPUT STANDARD SUSPENSION	
121	LAGE ANFL.FLAECHE GEHAEUSE2 WITHOUT GROOVE	
127	TYPE OF RELEASE MECHANISM WITH	
128	REF.LENGTH,RELEASE BEAR.FLAN -7 mm	
129	DIAMETER, RELEASE FLANGE 60 mm	
130	TYPE FIT RELEASE BEARING FLA. F8	
134	ASSEMBLY POS. CLUTCH CYLINDER 6	
135	OUTER DIA. OUTPUT FLANGE RA 180 mm	
139	NO.OF SCREWS OUTPUT FLANGE RA 4	



Pos.	Information	Amendment number
141	DIA. THREAD OUTPUT FL. SCR. RA M14	
142	THREAD PITCH OUTPUT FL SCR. RA 1.5 mm	
143	THREAD LENGTH OUTP.FL SCREW RA 50 mm	
145	REF. LENGTH OUTPUT FLANGE RA 211.5 mm	
152	DIMENSION SHIFT TURRET DIST. 256 mm	
153	MEAS. LOC. SHIFT TURRET DIST. SHIFT LEVER-LOCATION	
160	SHIFT LEVER CONNECTION KNURLING	
172	DESIGN, SHIFT PATTERN D6	
173	GRIFF-FORM HANDSCHALTHEBEL 1 1B	
174	AUSF BEFEST HANDSCHALTHEBEL 1 M10+WASHER	
176	HINWEIS PNEUMATIK VALVE	
177	SPRING ARRANGEMENT Q3	
178	SPRING FORCE DETENT PLUNGER RG 150 N	
179	HUMP SPRING FORCE, OUTSIDE 120 N	
180	HUMP SPRING FORCE, CENTRE 70 N	
182	SELECTOR SPRING FORCE, OUTSIDE 100 N	
183	SELECTOR SPRING FORCE, INSIDE 26 N	
184	SPRING FORCE,GEAR DETENT NG+GG 87 N	
185	FEDERKRAFT AUSSEN RASTE NG 200 N	
187	ANORDNUNG RASTENHEBELAUSFUEHRG B	
195	SWITCH, REVERSE GEAR y	
196	DESIGN, RG (REV.GEAR) SWITCH CLOSING	
197	DESIGN, CONNECTION, RG SWITCH DIN BAYONET	
198	CODE SWITCH RG A1	
199	PROT. CAP SWITCH, REVERSE GEAR y	
201	NOTE ON SWITCH, REVERSE GEAR G.SHIFT SHAFT	
202	SWITCH, NEUTRAL GEAR y	
203	DESIGN,NG(NEUTRAL GEAR)SWITCH OPENING SWITCH	
204	DESIGN, CONNECTION, NG SWITCH DIN BAYONET	
205	CODE SWITCH NG A1	
206	PROT.CAP SWITCH, NEUTRAL GEAR y	
223	FUNKTION GP-SCHALTER GP	



Pos.	Information	Amendment number
224	DESIGN, GP SWITCH CLOSING	
225	DESIGN, CONNECTION, GP SWITCH DIN BAYONET	
227	PROTECTING CAP GP SWITCH y	
234	FUNKTION GV-SCHALTER GV	
235	DESIGN, GV SWITCH PREPARED	
238	PROTECTING CAP GV SWITCH n	
285	ATTACHM.POS.HEAT EXCHANGER IN FRONT LEFT PREPARED	
287	VER. TRANSMISSION VENTILATION BREATHER	
306	VERSION PULSE SENSOR SFA H68 WITH	
310	PROT. CAP PULSE SENSOR SFA H68 y	
311	NO. PULSES PULSE SENSOR SFAH68 6 IMP/U	
316	VER. PULSE SENSOR TRANSM. H70 WITHOUT GROOVE	
320	PROT. CAP PULSE SENSOR TM H70 n	
321	NO PULSES PULSE SENSOR TM H70 6 IMP/U	
322	ASSEMBLY POS PULSE SENSOR H70 1	
323	NOTE ASS. POS PULSE SENSOR H70 INSTALLATION DRAWING	
338	POSITION, OIL FILLER HOUSING LEFT+RIGHT	
339	HINWEIS ZU OELBEFUELLUNG FILL IN OVERFLOW	
340	OIL CAPACITY, GEARBOX 11 dm3	
342	OIL GRADE PERMISSIBLE ACC. TO TE-ML02	
343	OIL CLASS FIRST FILLING H	
344	CODING OUTER CONSERVATION KA1	
345	SCOPE OUTER CONSERVATION T	
346	CODING INNER CONSERVATION KI2	
347	CONSERVATION SPECIFICATION ZFN 916	
349	COLOR JET BLACK	
350	COLOUR CLASSIFICATION ACC. TO RAL 9005	
351	PAINTING, ZF STANDARD 915 W	
354	Documents -----	
355	Drawing 1315.051.503	
356	Drawing 1315.651.217	
357	Drawing 1316.101.035	



Pos.	Information	Amendment number
358	TURN.SHAFT CONT Drawing 1316.173.100	
359	1315.051.200 Drawing 1315.051.200	



Graphics	Pos.	Material number	Name	VKF	Amend. no.	Amend. start	Prod. no.	Material feature / tech. info.	ID
068.01.05-1	110	1315.101.123	GEARBOX HOUSING	1		00.00.0000		DG/SG-KK*W I *FL.OHNE	3
068.01.05-1	120	1315.101.977	GEARBOX HOUSING	1	C01000403B1	00.00.0000		DG/SG-KK *STANDARD	3
068.02.02-1	140	1315.102.429	CONNPLATE	1		00.00.0000		L- 7*D60F8 *AUSR-GELENK *GETR *DAEWOO	3
068.02.02-1	150	1315.102.811	INPUT SHAFT	1	C01000403B1	00.00.0000		A-PLATTE GETR*GEH.6KT-SCHR	3
068.02.02-1	910	1315.102.055	INPUT SHAFT	1		00.00.0000		SG-KK *L109*GL100*ZAPF.25	3
068.03.01-1	180	1316.103.803	LAYSHAFT	1	C01000403B1	00.00.0000		PUMPE GETR*GEH.1 6KT-SCHR	3
068.03.01-1	920	1315.103.019	LAYSHAFT	1		00.00.0000		16S151*SG-KK*LAGER 43,6 *ZW-PROFIL	3
068.04.12-1	930	1315.104.027	MAIN SHAFT	1		00.00.0000		16S151*SG-KK+DG NEUES K.K *GP-SV*HS45	3
068.06.01-1	230	1315.106.008	GEAR SHIFT SYSTEM	1	C01009342B1	00.00.0000		WL*W I	3
068.06.01-1	234	1315.106.422	CONNECTING PARTS	1		00.00.0000		GEH.2 W I RG/HG-VERSCHL	3
068.06.01-1	238	1315.106.800	GEAR SHIFT SYSTEM	1		00.00.0000		GLEITSTEINE 1-4GANG *SCHALTSCHIENE VERSTIFTET	3
068.07.10-1	20	1316.108.846	GEAR SHIFT HOUSING	1	C01005022C1	00.00.0000		R= 90*A19*FZO*O.SCHUTZKAPP*LOSE POS	3
068.07.10-1	292	1316.108.803	GEAR SHIFT HOUSING	1	C01005022C1	00.00.0000		WL/WR*H-H	3
068.07.10-1	910	1316.108.005	HOUSING	1		00.00.0000		WL*NG-RASTE 200N	3
068.07.10-1	914	1316.108.402	GEAR SHIFT SHAFT	1		00.00.0000		WL*W I*256,0 *2-STANGENSCHLTG M10	3
068.07.10-1	924	1316.108.057	DETENT	1		00.00.0000		WL/WR*SERVO*H-H*W I/WII *HEBEL AUSF.B*HF-120/ 70N	3
068.07.10-1	930	1316.108.816	COVER	1		00.00.0000		WL/WR*W I*WII	3
068.08.20-1	946	1316.171.003	EXTENSION TOP COVER	1		00.00.0000		WL	3
068.08.20-1	950	1316.171.812	SHIFT TURRET	1		00.00.0000		WL/WR*WR	3

VKF Incidence factor

ID Identification (output code)





Graphics	Pos.	Material number	Name	VKF	Amend. no.	Amend. start	Prod. no.	Material feature / tech. info.	ID
068.08.20-1	954	1316.171.401	END COVER	1		00.00.0000		WL/WR	3
068.09.01-1	934	1316.109.036	CONNECTING PARTS	1		00.00.0000		HASV 2-ST*D=1,55 INTEGR. *RG- RASTE 150N*WL/WR	3
068.09.01-1	940	1316.109.437	CONNECTING PARTS	1		00.00.0000		WL/WR*NG-OEFF*RG- SCHL*BAJO*GG-RASTE 87N	3
068.09.01-1	952	1316.109.439	CONNECTING PARTS	1		00.00.0000		KABELVERBIND*RG *0,00M*BAJONETT*STECKER WINKEL	3
068.09.01-1	962	1316.109.440	CONNECTING PARTS	1		00.00.0000		KABELVERBIND*NG *0,00M*BAJONETT*STECKER WINKEL	3
068.12.02-1	920	1316.149.028	SET OF SPRINGS	1		00.00.0000		WL/WR*Q2/Q3*WF100*I=26N	3
068.14.02-1	46	1315.122.810	SUPPORT	1		00.00.0000		KUGELGELENK+6KT.MUTTER *LP	3
068.40.04-1	500	1315.112.014	GV-SHIFT SYSTEM	1	C01004003F1	00.00.0000		235N*GV-LAG.GEH.1*KURZ	3
068.40.04-1	502	1315.112.405	CONNECTING PARTS	1		00.00.0000		SG*GV-VORB	3
068.43.02-1	10	1315.131.047	COVER	1	C01008929B1	00.00.0000		ABTR*L=52*GDAL *ECO II/III	3
068.43.02-1	20	1315.131.050	GP HOUSING	1	C01008929B1	00.00.0000		16S151/221*SOLO*ET *O.GP- LUFTKANAL	3
068.43.02-1	30	1315.131.400	CLOSING COMPONENTS	1		00.00.0000		NA-OEFFNUNG	3
068.43.02-1	512	1315.131.805	GP HOUSING	1		00.00.0000			3
068.43.02-1	516	1315.131.402	CONNECTING PARTS	1		00.00.0000		E-TACHO-SEITL	3
068.44.07-1	40	1315.132.015	PLANETARY DRIVE	1		00.00.0000		4,565*GP-SV*FL.PROF.90	3
068.44.07-1	50	1316.132.403	PLANETARY DRIVE	1		00.00.0000		180*4XM14X1,5X50*L=211,5	3
068.45.04-1	70	1316.133.008	SYNCHRONIZER	1		00.00.0000		MOLYB*FL-PROFIL 90*E/Z6-V *GP- SV*16S151/221	3
068.45.04-1	80	1315.133.405	SYNCHRONIZER	1	C01001743F1	00.00.0000		FL-PROFIL 80 GV-GP 16 S151*FL- PROFIL 90 SV-GP 16 S151-251	3
068.46.03-1	90	1315.134.015	GP SHIFT SYSTEM	1	C01001743F1	00.00.0000		SCHIENE KURZ*GP-ANZ.SCHLT	3

VKF Incidence factor

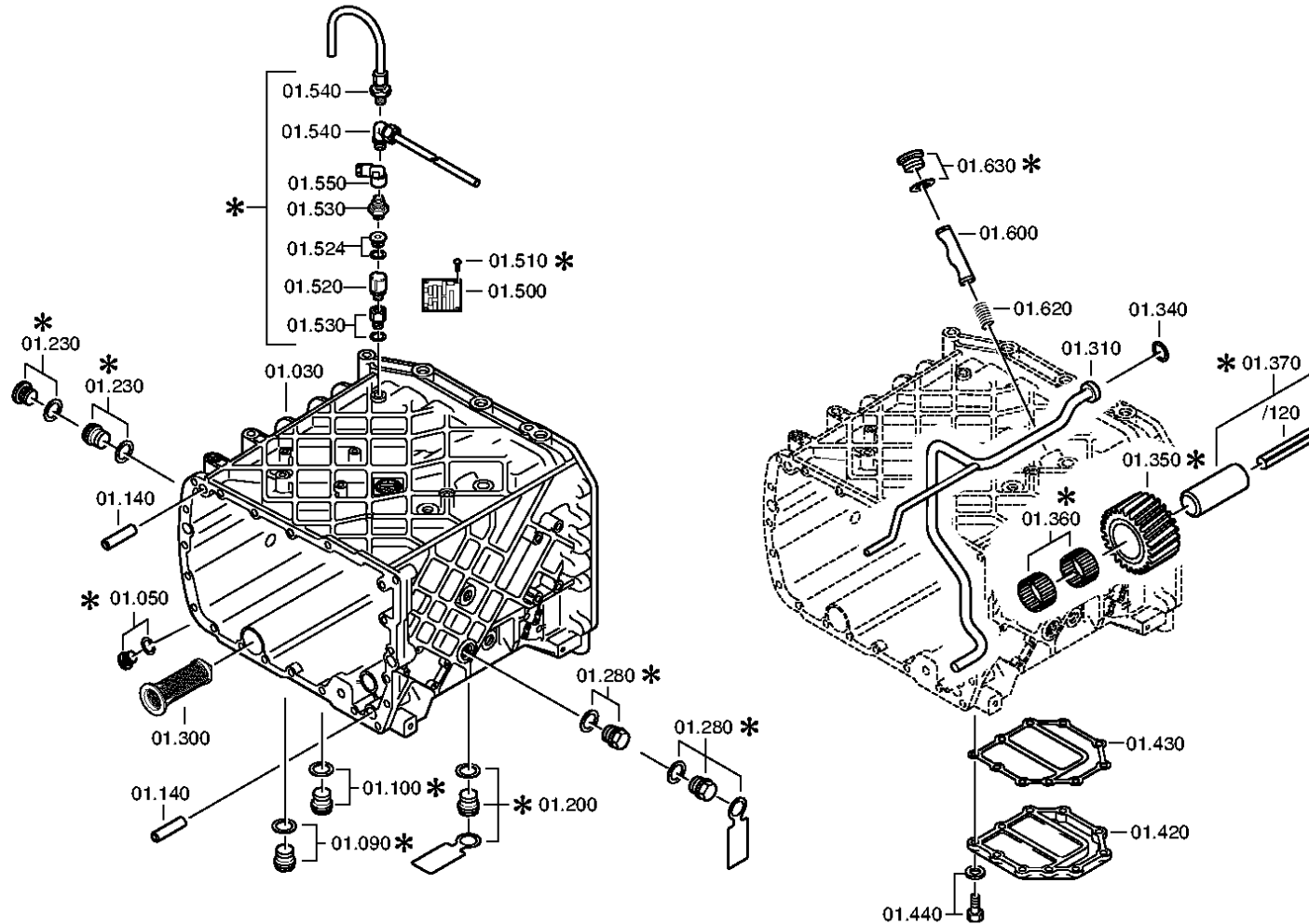
ID Identification (output code)

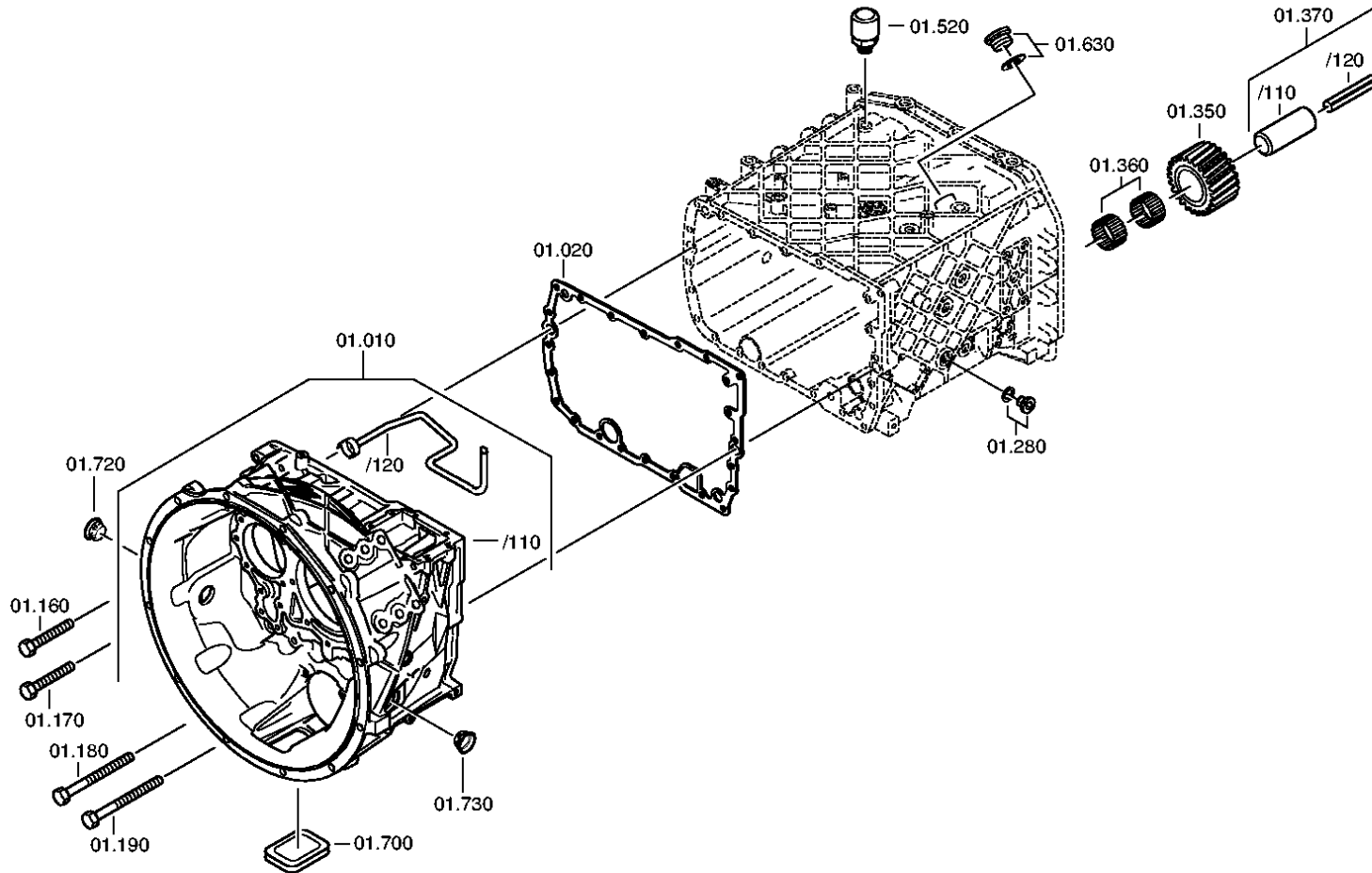


Graphics	Pos.	Material number	Name	VKF	Amend. no.	Amend. start	Prod. no.	Material feature / tech. info.	ID
068.46.03-1	554	1315.134.413	CONNECTING PARTS	1		00.00.0000		145N*GP-SCHL*BAJONETT *GV-LAG	3
068.46.03-1	980	1315.134.426	CONNECTING PARTS	1		00.00.0000		KABELVERBIND*GP *0,00M*BAJONETT*STECKER WINKEL	3
068.57.04-1	390	1315.145.004	RANGE SELECTION	1		00.00.0000		16S151 *VORGEFORMTE ROHRE	3
068.93.07	130	1315.168.019	CLUTCH RELEASE DEVICE	1		00.00.0000		AUSR-GELENK*SW= 78*LB=90 *MAN	3
068.93.07	132	1315.168.412	CLUTCH RELEASE DEVICE	1		00.00.0000		ZYL*STOESSEL L=145 *D=100*HUB=75	3
068.93.07	136	1315.168.800	CLUTCH RELEASE DEVICE	1	C01001477A1 10	00.00.0000		6KT.SCHR.	3
068.94.02-1	24	1316.130.002	ACCESSORIES	1		00.00.0000		FLANSCHMUTTERN	3
062.95.43-1	12	6007.101.452	CONNECTING PARTS	1		00.00.0000		L=10M*4/2*L=10M*4/2	3
062.98.41-1	40	6005.183.535	GEAR SHIFT LEVER	1		00.00.0000		*D6*PNEU*VENTIL	3

VKF Incidence factor

ID Identification (output code)







Pos.	Material number	Name	VKF	Amend. no.	Amend. start	Prod. no.	Material feature / tech. info.	OTK	External material no.	ID	Weight	SP
10	1316.201.142	CLUTCH HOUSING	1		00.00.0000		KPL.			3	0,000	
/110	1316.301.064	CLUTCH HOUSING	1		00.00.0000		ENTHALT.IN 1316 301 060(0)			5	0,000	
/120	1315.201.097	PIPE	1		00.00.0000		KPL.			3	0,000	
20	1315.301.233	GASKET	1	C0100534 8C10	00.00.0000	00.00.0000				5	0,000	
30	1315.201.208	HOUSING	1		00.00.0000		KPL.			3	0,000	
50	---	SCREW PLUG	1		00.00.0000		60N.M*DICHTRING M24X1,5			3	0,000	
---	0736.305.070	SCREW PLUG	1		00.00.0000		ENTHALT.IN 0736 305 041(2)			5	0,000	
---	0730.008.637	SEALING RING	1		00.00.0000		A24X29			5	0,000	
90	---	SCREW PLUG	1		00.00.0000		50N.M*DICHTRING M22X1,5			3	0,000	
---	0636.302.045	SCREW PLUG	1		00.00.0000		M22X1,5			5	0,040	
---	0730.009.515	SEALING RING	1		00.00.0000		A22X27			5	0,000	
100	---	SCREW PLUG	1		00.00.0000		50N.M*DICHTRING M22X1,5			3	0,000	
---	0636.302.045	SCREW PLUG	1		00.00.0000		M22X1,5			5	0,040	
---	0730.009.515	SEALING RING	1		00.00.0000		A22X27			5	0,000	
140	0731.201.563	CYLINDRICAL PIN	4		00.00.0000					5	0,000	
160	---	HEXAGON BOLT	14		00.00.0000		M10X70			3	0,000	
---	0736.010.180	HEXAGON BOLT	14		00.00.0000		M10X70 IN 0736 010 183(2)			5	0,000	
170	---	HEXAGON BOLT	1		00.00.0000		M10X70			3	0,000	
---	0736.010.180	HEXAGON BOLT	1		00.00.0000		M10X70 IN 0736 010 183(2)			5	0,000	
180	---	HEXAGON BOLT	6		00.00.0000		M10X140			3	0,000	
---	0736.010.182	HEXAGON BOLT	6		00.00.0000		M10X140 IN 0736 010 183(2)			5	0,000	
190	---	HEXAGON BOLT	1		00.00.0000		M10X140			3	0,000	
---	0736.010.182	HEXAGON BOLT	1		00.00.0000		M10X140 IN 0736 010 183(2)			5	0,000	
200	---	SCREW PLUG	1		00.00.0000		60N.M*DICHTRING M24X1,5			3	0,000	
---	0636.304.049	SCREW PLUG	1		00.00.0000		M24X1,5			5	0,094	
---	0730.008.637	SEALING RING	1		00.00.0000		A24X29			5	0,000	
230	---	SCREW PLUG	1		00.00.0000		60N.M*DICHTRING M24X1,5			3	0,000	
---	0636.304.049	SCREW PLUG	1		00.00.0000		M24X1,5			5	0,094	
---	0730.008.637	SEALING RING	1		00.00.0000		A24X29			5	0,000	

VKF Incidence factor

OTK Optional technical kit

ID Identification (output code)

SP Supplier plant



Pos.	Material number	Name	VKF	Amend. no.	Amend. start	Prod. no.	Material feature / tech. info.	OTK	External material no.	ID	Weight	SP
280	---	SCREW PLUG	1	C0100132 3B10	00.00.0000	00.00.0000	60N.M*DICHTRING M24X1,5			3	0,000	
---	0636.304.049	SCREW PLUG	1		00.00.0000		M24X1,5			5	0,094	
---	0730.008.637	SEALING RING	1		00.00.0000		A24X29			5	0,000	
300	0501.318.802	SCREEN INSERT	1		00.00.0000					5	0,000	
310	1315.201.111	SPRAY TUBE	1		00.00.0000		KPL. IN 1315 201 112(0)			3	0,000	
340	0634.313.198	O-RING	1		00.00.0000		20X3			5	1	
350	1315.305.011	REVERSE IDLER GEAR	1	C0100006 2F10	00.00.0000	00.00.0000				5	0,000	
360	0750.115.366	NEEDLE CAGE	2		00.00.0000		45,0X57,0X21,0			3	0,000	
370	1315.201.053	REVERSE IDLER SHAFT	1		00.00.0000		KPL.16S151*DG*L=84			3	0,000	
/120	0631.329.294	SLOTPIN	1		00.00.0000		10X100			5	0,000	
420	1315.301.151	COVER	1		00.00.0000					5	0,000	
430	0501.316.146	GASKET	1		00.00.0000					5	0,000	
440	0636.100.082	HEXAGON BOLT	10		00.00.0000		M10X28			5	0,000	
500	---	TYPE PLATE	1		00.00.0000		KONZERN			3	0,000	
---	0730.365.241	TYPE PLATE	1		00.00.0000		EINHEITSSCH. VERDREHSICHER			5	0,000	
---	0730.365.259	TYPE PLATE	1		00.00.0000		EINHEITSSCH. VERDREHSICHER			5	0,000	
---	0730.365.267	TYPE PLATE	1		00.00.0000		CHINA			5	0,000	
---	0730.300.258	TYPE PLATE	1		00.00.0000		EINHEITSSCH. VERDREHSICHER			5	0,000	
---	0730.365.271	TYPE PLATE	1		00.00.0000		RUSSLAND/ KYRILLISCH			5	0,000	
---	0730.365.257	TYPE PLATE	1		00.00.0000		S.S.CH IRAN			5	0,000	
510	0731.101.049	BLIND RIVET	4	C0100418 8F10	00.00.0000	00.00.0000				5	0,000	
520	---	BREATHER	1		00.00.0000		M10X1KEG			3	0,000	
---	0501.202.797	BREATHER	1		00.00.0000		KPL.			3	30	
600	1313.306.013	LOCKING PIN	1		00.00.0000					5	0,000	

VKF Incidence factor

OTK Optional technical kit

ID Identification (output code)

SP Supplier plant



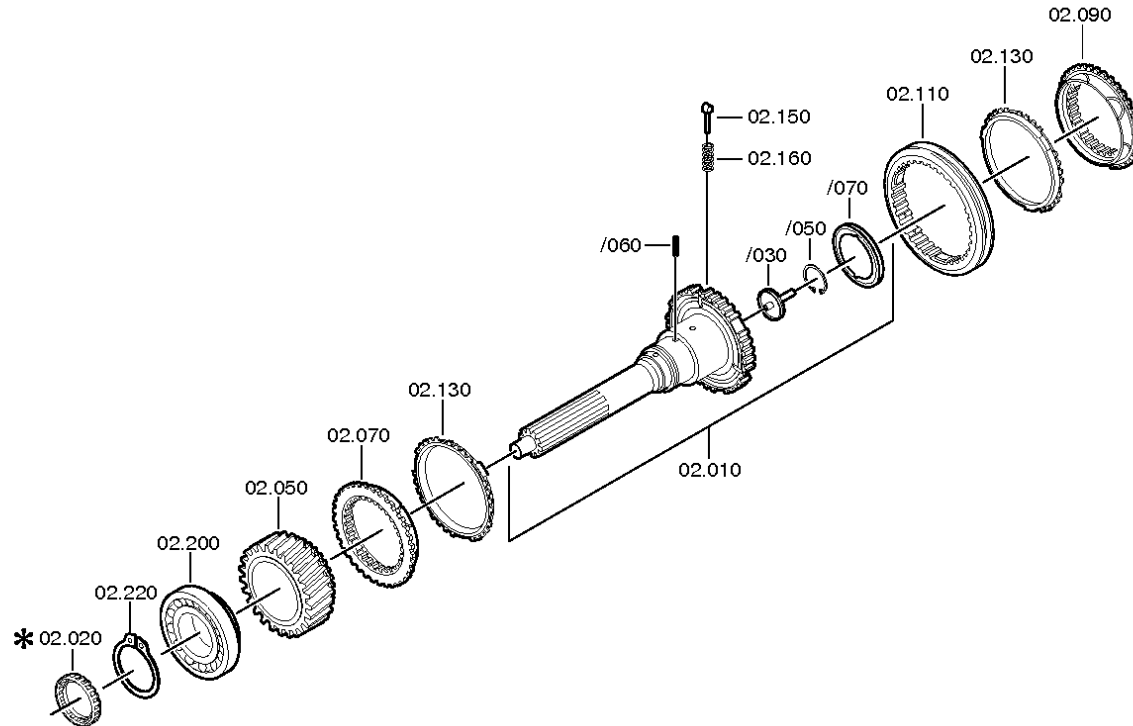
Pos.	Material number	Name	VKF	Amend. no.	Amend. start	Prod. no.	Material feature / tech. info.	OTK	External material no.	ID	Weight	SP
620	0732.040.736	COMPRSPRING	1		00.00.0000					5	5,200	
630	---	SCREW PLUG	1		00.00.0000		70N.M*DICHTRING M26X1,5			3	0,000	
---	0636.302.067	SCREW PLUG	1		00.00.0000		M26X1,5			5	70	
---	0634.801.249	SEALING RING	1		00.00.0000		26X31			5	0,010	
700	1315.301.230	PROTECTION CAP	1		00.00.0000					5	0,000	
720	0501.321.840	PLUG	1		00.00.0000					5	0,000	
730	0501.321.840	PLUG	1		00.00.0000					5	0,000	

**VKF** Incidence factor

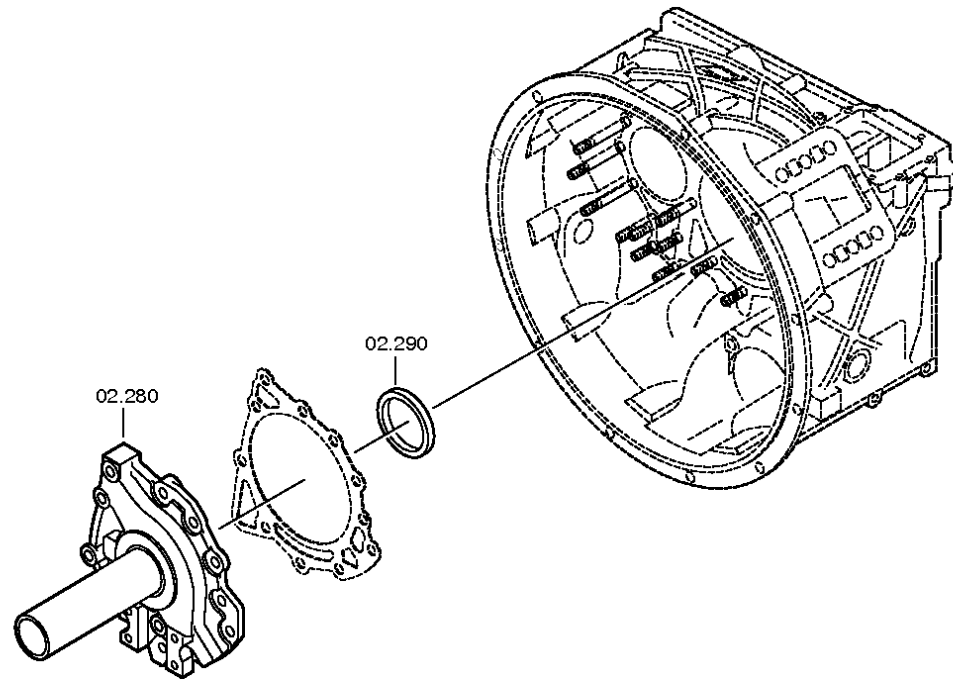
**OTK** Optional technical kit

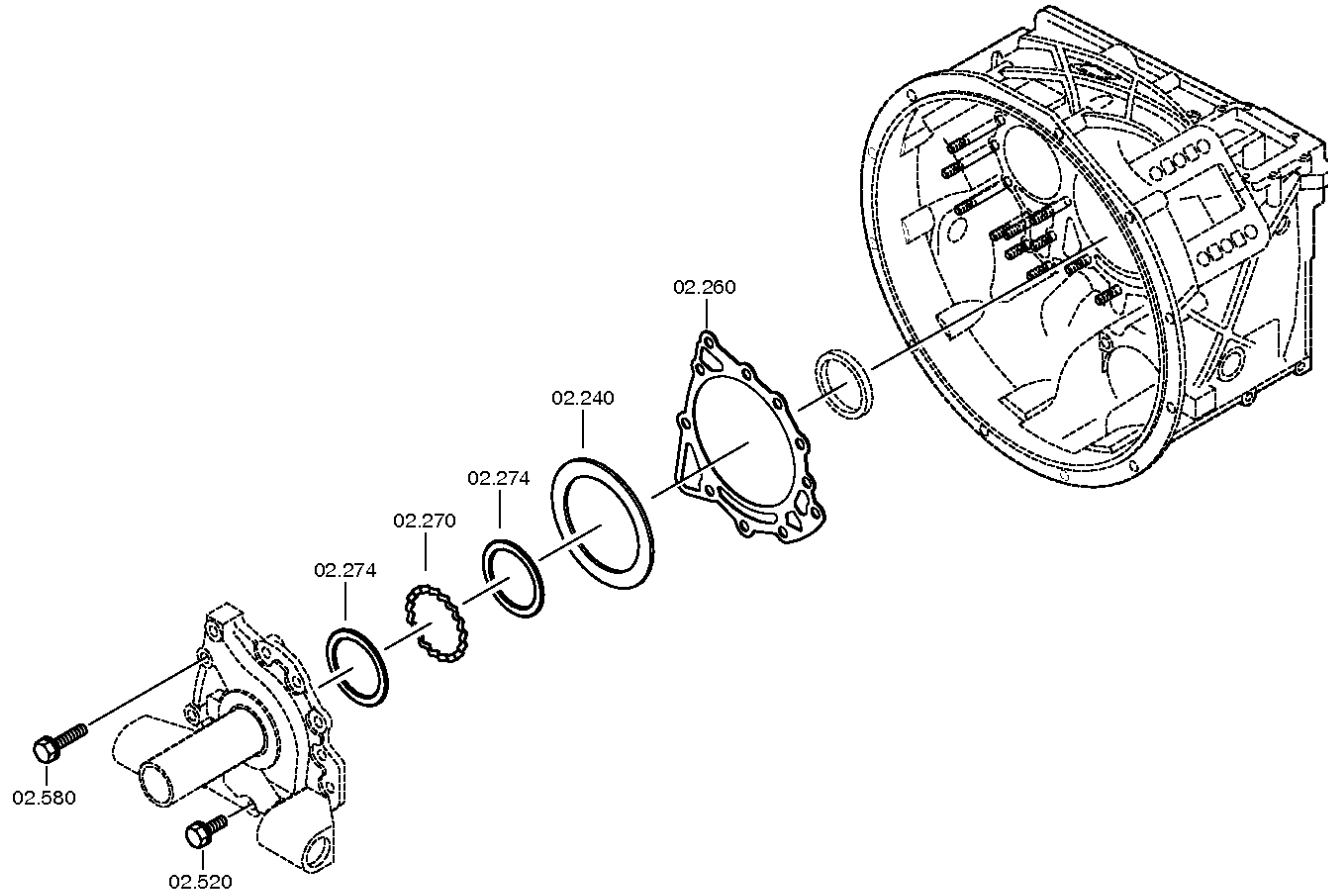
**ID** Identification (output code)

**SP** Supplier plant











Pos.	Material number	Name	VKF	Amend. no.	Amend. start	Prod. no.	Material feature / tech. info.	OTK	External material no.	ID	Weight	SP
10	1315.202.037	INPUT SHAFT	1		00.00.0000		KPL.L109*GL100*ZAPF.25			3	0,000	
/30	1354.302.019	PIPE	1	Z0000383 0511	31.12.2010	31.12.2010				5	0,000	
/50	0630.502.027	RETAINING RING	1		00.00.0000		50X2			5	8	
/70	0750.101.179	OIL DAM	1	Z0000718 7910	20.05.2010	20.05.2010	88,0X95,5X6,0			3	0,000	
50	1315.302.158	HELICAL GEAR	1		00.00.0000		Z35 IN 1315 302 156(1)			5	0,000	
70	1312.304.027	CLUTCH BODY	1		00.00.0000		ENTHALT.IN 1310 304 107(1)			5	0,000	
90	1312.304.027	CLUTCH BODY	1	C0100468 0D10	00.00.0000	00.00.0000	ENTHALT.IN 1310 304 107(1)			5	0,000	
110	1310.304.202	SLIDING SLEEVE	1	C0100537 8A10	00.00.0000	00.00.0000				5	0,000	
130	1297.304.484	SYNCHRORING	2		00.00.0000					5	0,000	
150	1297.304.436	PRESSURE PIECE	3		00.00.0000					5	0,004	
160	0732.040.409	COMPRSPRING	3	C0100731 7F10	00.00.0000	00.00.0000				5	0,002	
200	0750.117.732	TAROLLBEARING	1		00.00.0000		85,0X150,0X30,5			3	0,000	
220	0730.501.598	RETAINING RING	1	C0100799 2110	00.00.0000	00.00.0000	85X4			5	0,000	
240	---	SHIM	1		00.00.0000		S= 0,90- 2,20(ABSTUFUNG:0,05MM)			3	0,000	
---	2050.309.094	SHIM	1		00.00.0000		A=2,2 IN 2050 309 090 C45E WW.F500 ZFN410			5	0,000	
---	0730.007.489	SHIM	1		00.00.0000		A=2,15 IN 2050 309 090(2)			5	0,000	
---	0730.007.488	SHIM	1		00.00.0000		A=2,10 IN 2050 309 090(2)			5	0,000	
---	0730.007.487	SHIM	1		00.00.0000		A=2,05 IN 2050 309 090(2)			5	0,000	
---	0730.007.486	SHIM	1		00.00.0000		A=2,00 IN 2050 309 090(2)			5	0,000	
---	0730.007.485	SHIM	1		00.00.0000		A=1,95 IN 2050 309 090(2)			5	0,000	
---	0730.007.484	SHIM	1		00.00.0000		A=1,90 IN 2050 309 090(2)			5	0,000	
---	0730.007.483	SHIM	1		00.00.0000		A=1,85 IN 2050 309 090(2)			5	0,000	
---	0730.007.482	SHIM	1		00.00.0000		A=1,80 IN 2050 309 090(2)			5	0,000	

VKF Incidence factor

OTK Optional technical kit

ID Identification (output code)

SP Supplier plant



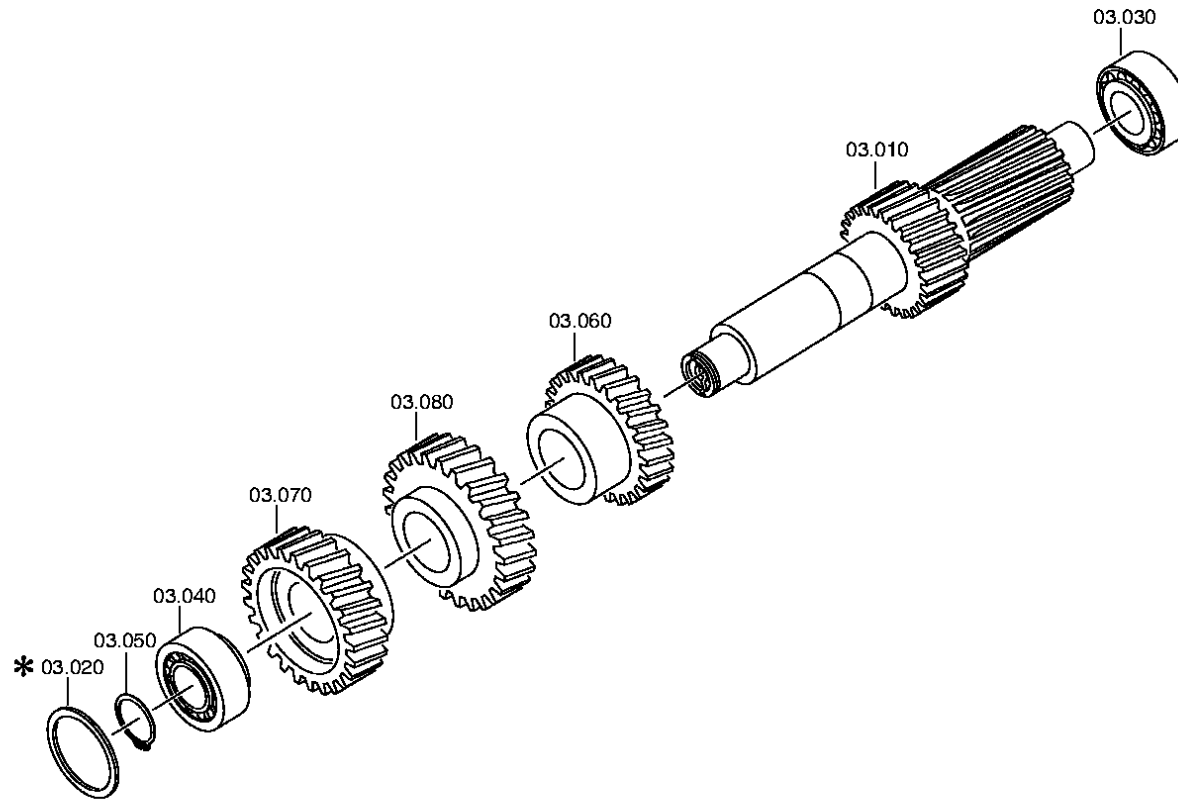
Pos.	Material number	Name	VKF	Amend. no.	Amend. start	Prod. no.	Material feature / tech. info.	OTK	External material no.	ID	Weight	SP
---	0730.007.481	SHIM	1		00.00.0000		A=1,75 IN 2050 309 090(2)			5	0,000	
---	0730.007.480	SHIM	1		00.00.0000		A=1,70 IN 2050 309 090(2)			5	0,000	
---	0730.007.479	SHIM	1		00.00.0000		A=1,65 IN 2050 309 090(2)			5	0,000	
---	0730.007.136	SHIM	1		00.00.0000		A=1,60 IN 2050 309 090(2)			5	0,000	
---	0730.007.135	SHIM	1		00.00.0000		A=1,55 IN 2050 309 090(2)			5	0,000	
---	0730.007.134	SHIM	1		00.00.0000		A=1,50 IN 2050 309 090(2)			5	0,000	
---	0730.007.133	SHIM	1		00.00.0000		A=1,45 IN 2050 309 090(2)			5	0,000	
---	0730.007.132	SHIM	1		00.00.0000		A=1,40 IN 2050 309 090(2)			5	0,000	
---	0730.007.131	SHIM	1		00.00.0000		A=1,35 IN 2050 309 090(2)			5	0,000	
---	0730.007.130	SHIM	1		00.00.0000		A=1,30 IN 2050 309 090(2)			5	0,000	
---	0730.007.129	SHIM	1		00.00.0000		A=1,25 IN 2050 309 090(2)			5	0,000	
---	2050.309.034	SHIM	1		00.00.0000		A=1,2 IN 2050 309 090 C45E WW.F500 ZFN410			5	0,000	
---	0730.007.128	SHIM	1		00.00.0000		A=1,15 IN 2050 309 090(2)			5	0,000	
---	0730.007.127	SHIM	1		00.00.0000		A=1,10 IN 2050 309 090(2)			5	0,000	
---	0730.007.126	SHIM	1		00.00.0000		A=1,05 IN 2050 309 090(2)			5	0,000	
---	2050.309.065	SHIM	1		00.00.0000		A=1,0 IN 2050 309 090 C45E WW.F500 ZFN410			5	0,000	
---	0730.005.749	SHIM	1		00.00.0000		A=0,95 IN 2050 309 090(2)			5	0,000	
---	0730.005.748	SHIM	1		00.00.0000		A=0,90 IN 2050 309 090(2)			5	0,000	
260	0501.314.587	GASKET	1		00.00.0000					5	0,000	
270	1315.302.040	SPACER RING	1		00.00.0000					5	0,000	
274	0730.150.766	WASHER	2		00.00.0000					5	0,000	
280	1315.302.136	CONNPLATE	1		00.00.0000					5	0,000	
290	---	SHAFT SEAL	1	C0100211 1D10	00.00.0000	00.00.0000	75X55X8			3	0,000	
---	0734.310.387	SHAFT SEAL	1		00.00.0000		55X75X8/9,2 FA.CFW			5	0,000	
520	---	HEXAGON BOLT	8		00.00.0000		M10X35Z1			3	0,000	
---	0636.015.592	HEXAGON BOLT	8		00.00.0000		M10X35			5	0,000	
580	---	HEXAGON BOLT	3		00.00.0000		M10X60Z1			3	0,000	
---	0636.015.593	HEXAGON BOLT	3		00.00.0000		M10X60			5	0,000	

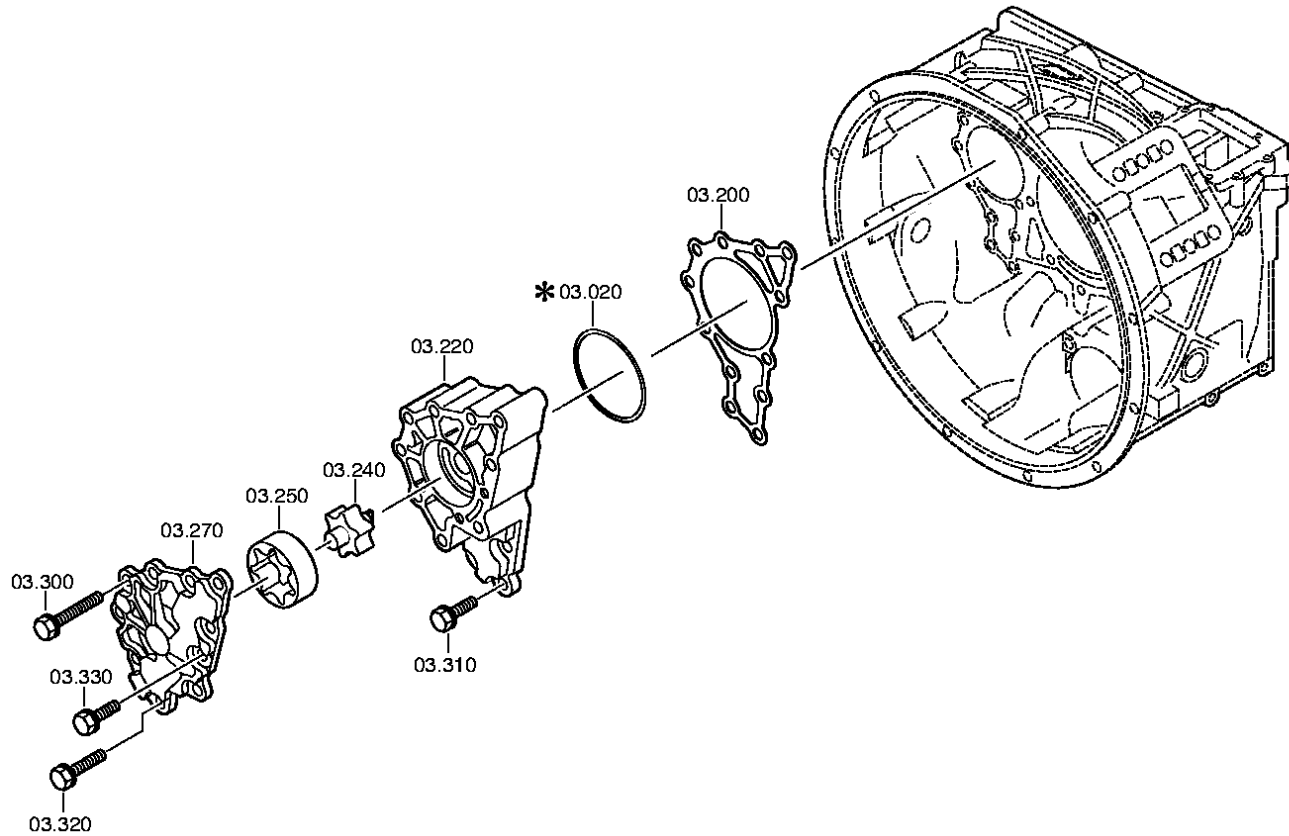
VKF Incidence factor

OTK Optional technical kit

ID Identification (output code)

SP Supplier plant







Pos.	Material number	Name	VKF	Amend. no.	Amend. start	Prod. no.	Material feature / tech. info.	OTK	External material no.	ID	Weight	SP
10	1315.303.063	LAYSHAFT	1		00.00.0000					5	0,000	
20	---	SHIM	1		00.00.0000		S= 1,85- 3,25(ABSTUFUNG:0,05MM)			3	0,000	
---	0730.112.938	SHIM	1	C0100737 5C10	00.00.0000	00.00.0000	A=3,25			5	0,000	
---	0730.112.937	SHIM	1	C0100737 5C10	00.00.0000	00.00.0000	A=3,20			5	0,000	
---	0730.112.936	SHIM	1	C0100737 5C10	00.00.0000	00.00.0000	A=3,15			5	0,000	
---	0730.112.935	SHIM	1	C0100737 5C10	00.00.0000	00.00.0000	A=3,10			5	0,000	
---	0730.106.860	SHIM	1	C0100737 5C10	00.00.0000	00.00.0000	A=3,05 IN 0730 106 904(2)			5	0,000	
---	0730.106.917	SHIM	1		00.00.0000		A=3,00 IN 0730 106 904(2)			5	0,000	
---	0730.106.916	SHIM	1		00.00.0000		A=2,95 IN 0730 106 904(2)			5	0,000	
---	0730.106.915	SHIM	1		00.00.0000		A=2,90 IN 0730 106 904(2)			5	0,000	
---	0730.106.914	SHIM	1		00.00.0000		A=2,85 IN 0730 106 904(2)			5	0,000	
---	0730.106.913	SHIM	1		00.00.0000		A=2,80 IN 0730 106 904(2)			5	0,000	
---	0730.106.912	SHIM	1		00.00.0000		A=2,75 IN 0730 106 904(2)			5	0,000	
---	0730.106.911	SHIM	1		00.00.0000		A=2,70 IN 0730 106 904(2)			5	0,000	
---	0730.106.910	SHIM	1		00.00.0000		A=2,65 IN 0730 106 904(2)			5	0,000	
---	0730.106.909	SHIM	1		00.00.0000		A=2,60 IN 0730 106 904(2)			5	0,000	
---	0730.106.908	SHIM	1		00.00.0000		A=2,55 IN 0730 106 904(2)			5	0,000	
---	0730.100.799	SHIM	1		00.00.0000		A=2,50 IN 0730 106 904(2)			5	0,000	
---	0730.100.800	SHIM	1		00.00.0000		A=2,45 IN 0730 106 904(2)			5	0,000	
---	0730.100.801	SHIM	1		00.00.0000		A=2,40 IN 0730 106 904(2)			5	0,000	
---	0730.100.802	SHIM	1		00.00.0000		A=2,35 IN 0730 106 904(2)			5	0,000	
---	0730.100.803	SHIM	1		00.00.0000		A=2,30 IN 0730 106 904(2)			5	0,000	
---	0730.101.466	SHIM	1		00.00.0000		A=2,25 IN 0730 106 904(2)			5	0,000	
---	0730.101.467	SHIM	1		00.00.0000		A=2,20 IN 0730 106 904(2)			5	0,000	
---	0730.101.468	SHIM	1		00.00.0000		A=2,15 IN 0730 106 904(2)			5	0,000	

VKF Incidence factor

OTK Optional technical kit

ID Identification (output code)

SP Supplier plant



Pos.	Material number	Name	VKF	Amend. no.	Amend. start	Prod. no.	Material feature / tech. info.	OTK	External material no.	ID	Weight	SP
---	0730.101.469	SHIM	1		00.00.0000		A=2,10 IN 0730 106 904(2)			5	0,000	
---	0730.101.470	SHIM	1		00.00.0000		A=2,05 IN 0730 106 904(2)			5	0,000	
---	0730.101.471	SHIM	1		00.00.0000		A=2,00 IN 0730 106 904(2)			5	0,000	
---	0730.106.907	SHIM	1		00.00.0000		A=1,95 IN 0730 106 904(2)			5	0,000	
---	0730.106.906	SHIM	1		00.00.0000		A=1,90 IN 0730 106 904(2)			5	0,000	
---	0730.106.905	SHIM	1		00.00.0000		A=1,85 IN 0730 106 904(2)			5	0,000	
30	0750.117.009	TAROLLBEARING	1		00.00.0000		49,2X103,1X43,6			3	0,000	
40	0750.117.009	TAROLLBEARING	1		00.00.0000		49,2X103,1X43,6			3	0,000	
50	---	RETAINING RING	1		00.00.0000		S= 2,40- 3,00(ABSTUFUNG:0,05MM)			3	0,000	
---	0630.531.065	RETAINING RING	1		00.00.0000		50X3			5	16	
---	0630.501.111	RETAINING RING	1		00.00.0000		50X2,95			5	0,000	
---	0630.501.112	RETAINING RING	1		00.00.0000		50X2,9			5	0,000	
---	0630.501.113	RETAINING RING	1		00.00.0000		50X2,85			5	0,000	
---	0630.501.114	RETAINING RING	1		00.00.0000		50X2,8			5	0,000	
---	0630.501.115	RETAINING RING	1		00.00.0000		50X2,75			5	0,000	
---	0630.501.116	RETAINING RING	1		00.00.0000		50X2,7			5	0,000	
---	0630.501.117	RETAINING RING	1		00.00.0000		50X2,65			5	0,000	
---	0630.501.118	RETAINING RING	1		00.00.0000		50X2,6			5	0,000	
---	0630.501.160	RETAINING RING	1		00.00.0000		50X2,55			5	0,000	
---	0630.531.064	RETAINING RING	1		00.00.0000		50X2,5			5	0,100	
---	0630.501.159	RETAINING RING	1		00.00.0000		50X2,45			5	0,000	
---	0630.501.148	RETAINING RING	1		00.00.0000		50X2,4			5	0,000	
60	1315.303.004	HELICAL GEAR	1		00.00.0000					5	0,000	
70	1315.303.064	HELICAL GEAR	1		00.00.0000		KON 1			5	0,000	
80	1315.303.050	HELICAL GEAR	1		00.00.0000		ENTHALT.IN 1315 303 015(2)			5	0,000	
200	1315.303.060	GASKET	1	C0100534 9C10	00.00.0000	00.00.0000				5	0,000	
220	---	PUMP HOUSING	1		00.00.0000		GD*GSL5			3	0,000	
---	1315.302.121	PUMP HOUSING	1		00.00.0000					5	0,000	
---	1315.302.117	PUMP HOUSING	1		00.00.0000					5	0,000	

VKF Incidence factor

OTK Optional technical kit

ID Identification (output code)

SP Supplier plant





Pos.	Material number	Name	VKF	Amend. no.	Amend. start	Prod. no.	Material feature / tech. info.	OTK	External material no.	ID	Weight	SP
240	1314.202.039	PUMP SHAFT	1		00.00.0000		KPL.			3	0,000	
250	1315.303.027	ROTOR	1		00.00.0000					5	0,000	
270	---	PUMP COVER	1		00.00.0000		GD*GSLs			3	0,000	
---	1315.302.120	PUMP COVER	1		00.00.0000					5	0,000	
---	1315.302.116	PUMP COVER	1		00.00.0000					5	0,000	
300	---	HEXAGON BOLT	8		00.00.0000		M10X85Z1			3	0,000	
---	0636.015.594	HEXAGON BOLT	8		00.00.0000		M10X85			5	0,000	
310	---	HEXAGON BOLT	3		00.00.0000		M10X35Z1			3	0,000	
---	0636.015.592	HEXAGON BOLT	3		00.00.0000		M10X35			5	0,000	
320	---	HEXAGON BOLT	1		00.00.0000		M10X60Z1			3	0,000	
---	0636.015.593	HEXAGON BOLT	1		00.00.0000		M10X60			5	0,000	
330	---	HEXAGON BOLT	2		00.00.0000		M10X35Z1			3	0,000	
---	0636.015.592	HEXAGON BOLT	2		00.00.0000		M10X35			5	0,000	

**VKF** Incidence factor

**OTK** Optional technical kit

**ID** Identification (output code)

**SP** Supplier plant





Pos.	Material number	Name	VKF	Amend. no.	Amend. start	Prod. no.	Material feature / tech. info.	OTK	External material no.	ID	Weight	SP
10	1315.304.131	MAIN SHAFT	1		00.00.0000					5	0,000	
40	0735.321.087	NEEDLE CAGE	1		00.00.0000		92,0X100,0X53,0 FA.INA			5	0,000	
50	1315.304.025	HELICAL GEAR	1		00.00.0000		2G/Z38 IN 1315 304 033(1)			5	0,000	
90	1315.204.006	SYNCHRONIZER	1		00.00.0000		KPL.1+2G*DK			3	0,000	
/110	1312.304.106	CLUTCH DISC	1		00.00.0000					5	0,000	
/120	1268.304.424	INTERNAL RING	1		00.00.0000					5	0,000	
/130	1268.304.494	INTERMRING	1		00.00.0000		ENTHALT.IN 6002 306 153(0)			5	0,000	
/140	1268.304.525	OUTER RING	1		00.00.0000		ENTHALT.IN 1310 304 095(1)			5	0,000	
/150	1312.304.158	SYNCHROBODY	1		00.00.0000		ZF-D171/164			5	0,000	
/160	1312.304.159	COUPLING ELEMENT	3	C0100689 3A10	00.00.0000	00.00.0000				5	0,030	
/170	1310.304.175	SLIDING SLEEVE	1	C0100731 7F10	00.00.0000	00.00.0000				5	0,000	
/180	0732.040.409	COMPRSPRING	3		00.00.0000					5	0,002	
/190	1297.304.436	PRESSURE PIECE	3		00.00.0000					5	0,004	
/200	1268.304.525	OUTER RING	1		00.00.0000		ENTHALT.IN 1310 304 095(1)			5	0,000	
/210	1268.304.494	INTERMRING	1		00.00.0000		ENTHALT.IN 6002 306 153(0)			5	0,000	
/220	1268.304.424	INTERNAL RING	1		00.00.0000					5	0,000	
/230	1312.304.106	CLUTCH DISC	1		00.00.0000					5	0,000	
140	1313.304.038	BUSH	1		00.00.0000		ENTHALT.IN 1312 304 007(2)			5	0,000	
150	0750.115.325	NEEDLE CAGE	1		00.00.0000		96,0X104,0X55,0			3	0,000	
160	1315.304.004	HELICAL GEAR	1		00.00.0000		1G/Z47 IN 1315 304 020(1)			5	0,000	
180	1315.304.018	CLUTCH BODY	1		00.00.0000		RG			5	0,000	
200	1315.304.132	BUSH	1		00.00.0000		A=41,00 IN 1312 304 010(2)			5	0,000	
210	0750.115.324	NEEDLE CAGE	1		00.00.0000		90,0X98,0X41,0			3	0,000	
220	1315.304.006	HELICAL GEAR	1		00.00.0000		RG/Z44 IN 1315 304 019(0)			5	0,000	
260	0750.117.677	TAROLLBEARING	1		00.00.0000		80,0X130,0X36,0			3	0,000	
270	---	RETAINING RING	1		00.00.0000		S= 2,20- 3,65(ABSTUFUNG:0,06MM)			3	0,000	
---	0630.501.316	RETAINING RING	1		00.00.0000		80X3,5			5	0,000	
---	0630.501.336	RETAINING RING	1		00.00.0000		80X3,45			5	0,000	

VKF Incidence factor

OTK Optional technical kit

ID Identification (output code)

SP Supplier plant



Pos.	Material number	Name	VKF	Amend. no.	Amend. start	Prod. no.	Material feature / tech. info.	OTK	External material no.	ID	Weight	SP
---	0630.501.315	RETAINING RING	1		00.00.0000		80X3,4			5	0,000	
---	0630.501.335	RETAINING RING	1		00.00.0000		80X3,35			5	0,000	
---	0630.501.314	RETAINING RING	1		00.00.0000		80X3,3			5	0,000	
---	0630.501.334	RETAINING RING	1		00.00.0000		80X3,25			5	0,000	
---	0630.501.313	RETAINING RING	1		00.00.0000		80X3,2			5	0,000	
---	0630.501.333	RETAINING RING	1		00.00.0000		80X3,15			5	0,000	
---	0630.501.312	RETAINING RING	1		00.00.0000		80X3,1			5	0,000	
---	0630.501.337	RETAINING RING	1		00.00.0000		80X3,55			5	0,000	
---	0630.501.338	RETAINING RING	1		00.00.0000		80X3,6			5	0,000	
---	0630.501.339	RETAINING RING	1		00.00.0000		80X3,65			5	0,000	
280	1315.332.073	PRESSURE DISC	1		00.00.0000					5	0,000	
300	1312.304.150	PIPE	1		00.00.0000					5	0,000	
320	0735.321.087	NEEDLE CAGE	1		00.00.0000		92,0X100,0X53,0 FA.INA			5	0,000	
330	1315.304.027	HELICAL GEAR	1		00.00.0000		3G/Z34 IN 1315 304 034(1)			5	0,000	
350	1316.304.190	CLUTCH BODY	1	Z0000698 1311	31.12.2011	31.12.2011	ZF-BK 144 O			5	0,000	
370	1356.204.006	SYNCHRONIZER	1	Z0000698 1311	31.12.2011	31.12.2011	KPL.3+4G*BK144 MOLYBDAEN*ANSCHL. INTEGR VERST*ECOSPLIT 3 +4			3	0,000	
/10	1356.304.019	SYNCHROBODY	1	Z0000698 1313	19.05.2010	19.05.2010				5	0,000	
/20	1356.304.023	SLIDING SLEEVE	1	Z0000698 1313	19.05.2010	19.05.2010	ZF-BK 144			5	0,000	
/30	1316.304.189	SYNCHRO RING	2	Z0000698 1313	19.05.2010	19.05.2010	ZF-BK 144			5	0,000	
/50	1297.304.436	PRESSURE PIECE	3	Z0000698 1313	19.05.2010	19.05.2010				5	0,004	
/60	0732.040.409	COMPRSPRING	3	Z0000698 1313	19.05.2010	19.05.2010				5	0,002	
390	1316.304.190	CLUTCH BODY	1	Z0000698 1311	31.12.2011	31.12.2011	ZF-BK 144 O			5	0,000	

VKF Incidence factor

OTK Optional technical kit

ID Identification (output code)

SP Supplier plant



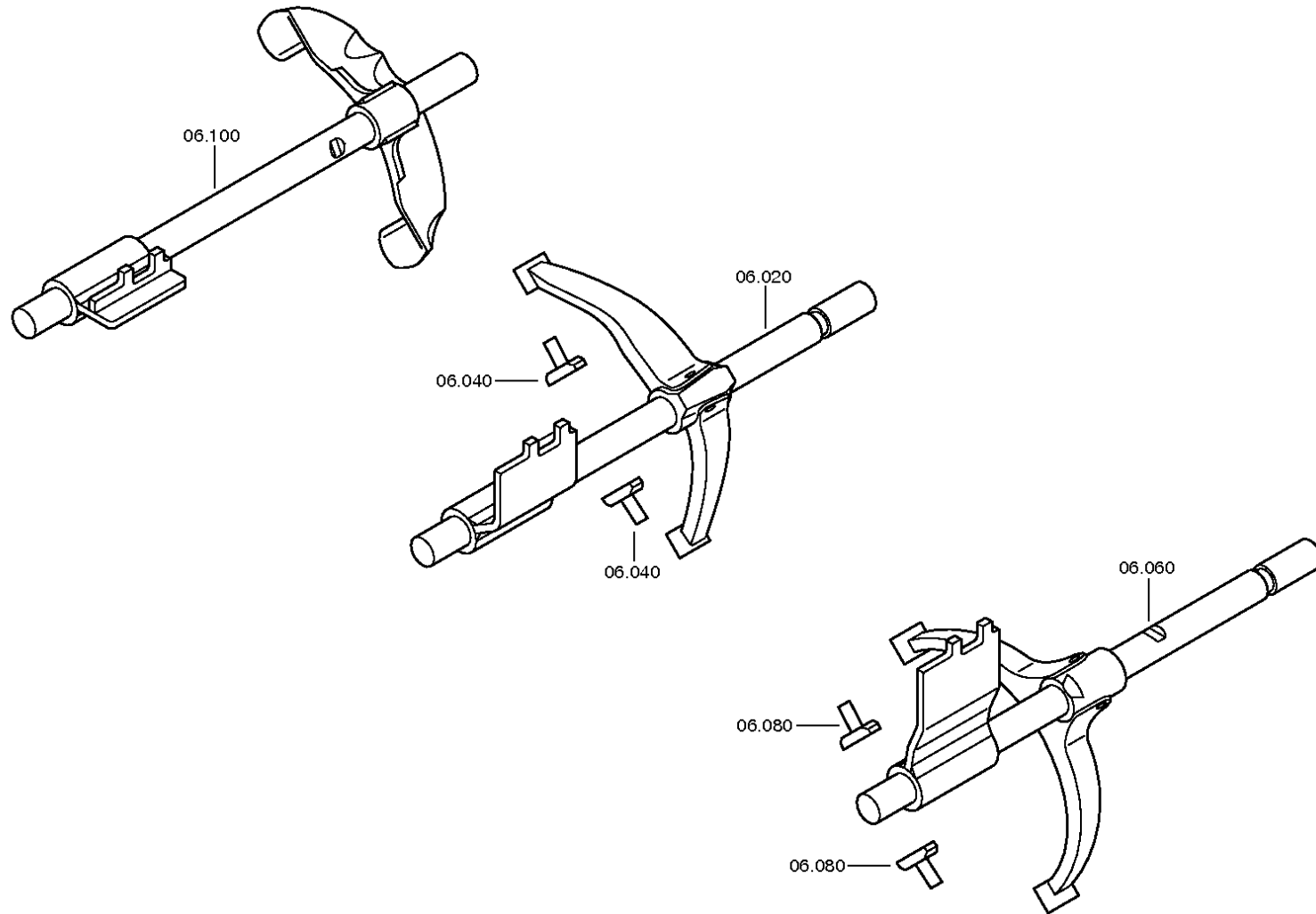
Pos.	Material number	Name	VKF	Amend. no.	Amend. start	Prod. no.	Material feature / tech. info.	OTK	External material no.	ID	Weight	SP
410	0750.101.158	THRUST WASHER	2		00.00.0000					3	0,000	
420	0750.119.125	INTERNAL RING	1		00.00.0000		67,0X77,0X54,1			3	0,000	
430	0750.115.534	ROLLER CAGE	2		00.00.0000		77,0X101,0X29,0			3	0,000	
440	1315.304.089	HELICAL GEAR	1		00.00.0000		ENTHALT.IN 1315 304 023(1)			5	0,000	
460	---	AXIAL WASHER	1		00.00.0000		S= 7,30- 8,00(ABSTUFUNG:0, 10MM)			3	0,000	
---	1315.304.048	AXIAL WASHER	1		00.00.0000		A=8,00 IN 1315 304 042(2)			5	0,000	
---	1315.304.047	AXIAL WASHER	1		00.00.0000		A=7,90 IN 1315 304 042(2)			5	0,000	
---	1315.304.046	AXIAL WASHER	1		00.00.0000		A=7,80 IN 1315 304 042(2)			5	0,000	
---	1315.304.045	AXIAL WASHER	1		00.00.0000		A=7,70 IN 1315 304 042(2)			5	0,000	
---	1315.304.044	AXIAL WASHER	1		00.00.0000		A=7,60 IN 1315 304 042(2)			5	0,000	
---	1315.304.043	AXIAL WASHER	1		00.00.0000		A=7,50 IN 1315 304 042(2)			5	0,000	
---	1315.304.085	AXIAL WASHER	1		00.00.0000		A=7,40 IN 1315 304 042(2)			5	0,000	
---	1315.304.086	AXIAL WASHER	1		00.00.0000		A=7,30 IN 1315 304 042(2)			5	0,000	
480	0750.117.232	TAROLLBEARING	1		00.00.0000		42,0X40,3			3	0,000	
500	1312.204.040	SPLIT RING	1		00.00.0000		GESTANZT			3	0,000	
/10	---	SPLIT RING	2		00.00.0000		S= 4,60- 5,00(ABSTUFUNG:0, 10MM)			3	0,000	
---	0730.107.023	SPLIT RING	2		00.00.0000		A=5,00 IN 0730 106 207(2)			5	0,000	
---	0730.107.022	SPLIT RING	2		00.00.0000		A=4,90 IN 0730 106 207(2)			5	0,000	
---	0730.107.021	SPLIT RING	2		00.00.0000		A=4,80 IN 0730 106 207(2)			5	0,000	
---	0730.107.020	SPLIT RING	2		00.00.0000		A=4,70 IN 0730 106 207(2)			5	0,000	
---	0730.107.019	SPLIT RING	2		00.00.0000		A=4,60 IN 0730 106 207(2)			5	0,000	
/20	0730.062.781	RETAINING RING	1		00.00.0000		ENTHALT.IN 0730 062 636(2)			5	0,000	

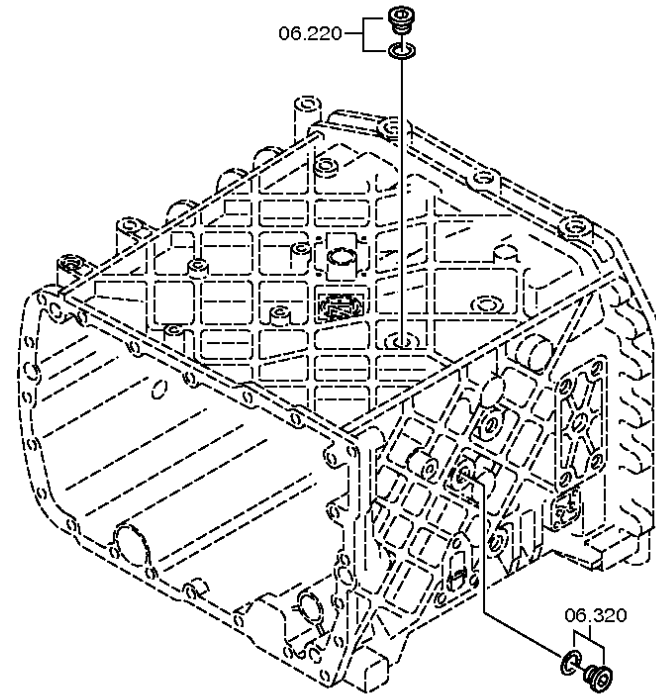
VKF Incidence factor

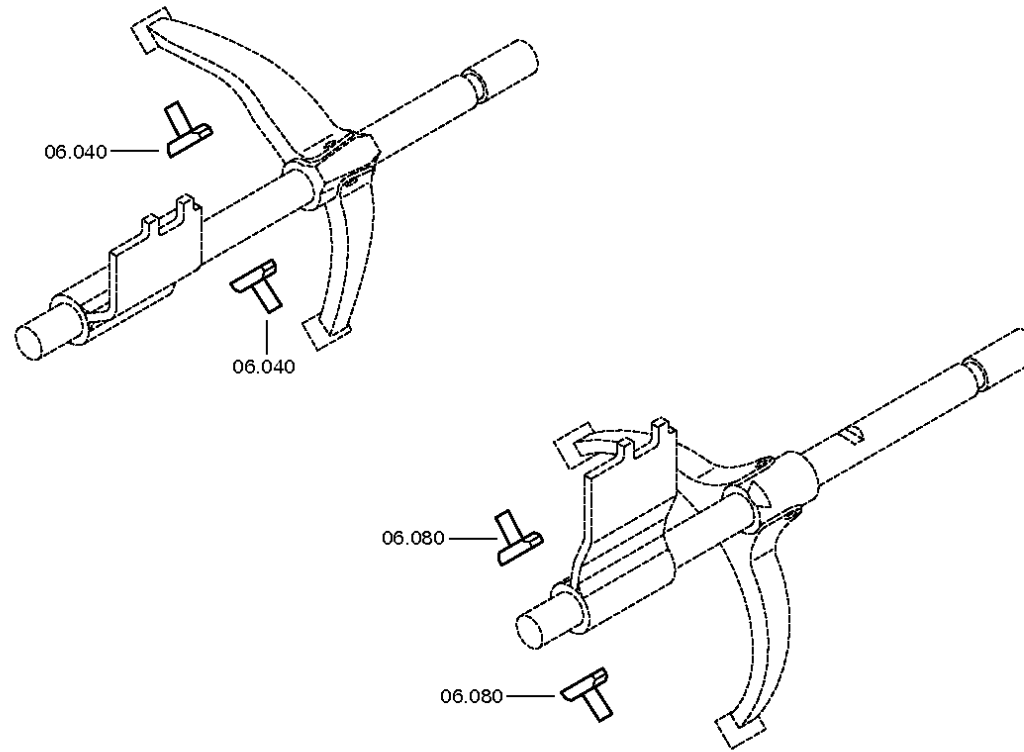
OTK Optional technical kit

ID Identification (output code)

SP Supplier plant











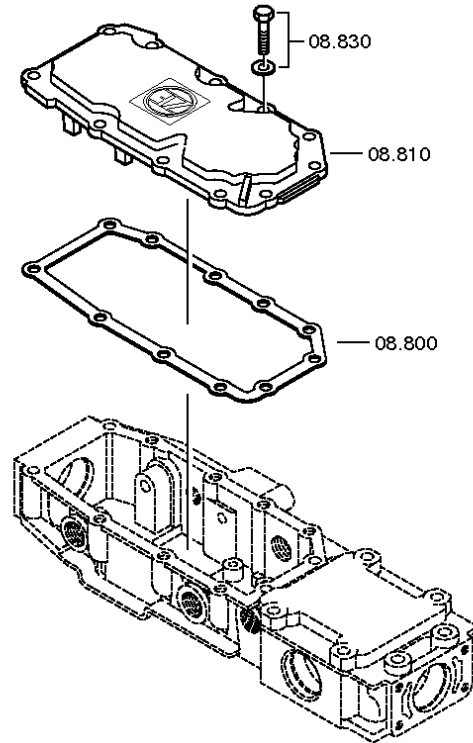
Pos.	Material number	Name	VKF	Amend. no.	Amend. start	Prod. no.	Material feature / tech. info.	OTK	External material no.	ID	Weight	SP
20	1315.206.076	GEAR SHIFT RAIL	1		00.00.0000		1+2GANG*KURZ*WI			3	0,000	
/10	1315.306.099	GEAR SHIFT RAIL	1		00.00.0000					5	0,000	
/20	1355.306.006	GEAR SHIFT FORK	1		00.00.0000		1/2G			5	0,000	
/30	0501.216.602	DRIVER	1		00.00.0000		KPL.			5	0,000	
//10	0501.324.853	DRIVER	1		00.00.0000					5	0,000	
//20	0730.513.462	SNAP RING	1		00.00.0000					5	0,000	
40	1316.306.015	SLIDING PAD	2		00.00.0000					5	0,000	
60	1315.206.079	GEAR SHIFT RAIL	1		00.00.0000		3+4GANG*KURZ*WI			3	0,000	
/10	1315.306.106	GEAR SHIFT RAIL	1		00.00.0000					5	0,000	
/20	1325.306.028	GEAR SHIFT FORK	1		00.00.0000		3/4G			5	0,000	
/30	0501.213.881	DRIVER	1		00.00.0000		KPL.			5	0,000	
/50	0631.329.086	SLOTPIN	1		00.00.0000		8X40			5	7,800	
/60	0631.329.057	SLOTPIN	1		00.00.0000		5X40			5	0,000	
80	1316.306.015	SLIDING PAD	2		00.00.0000					5	0,000	
100	1315.206.083	GEAR SHIFT RAIL	1		00.00.0000		R-GANG*KURZ*WI			3	0,000	
/10	1315.306.103	GEAR SHIFT RAIL	1		00.00.0000					5	0,000	
/20	1355.306.003	GEAR SHIFT FORK	1		00.00.0000		RG			5	0,000	
/30	0501.213.882	DRIVER	1		00.00.0000		KPL.			5	0,000	
/50	0631.329.086	SLOTPIN	1		00.00.0000		8X40			5	7,800	
/60	0631.329.057	SLOTPIN	1		00.00.0000		5X40			5	0,000	
220	---	SCREW PLUG	1		00.00.0000		35N.M*DICHTRING M18X1,5			3	0,000	
---	0636.302.021	SCREW PLUG	1		00.00.0000		M18X1,5			5	0,090	
---	0634.801.062	SEALING RING	1		00.00.0000		18X24			5	0,001	
320	---	SCREW PLUG	1		00.00.0000		35N.M*DICHTRING M18X1,5			3	0,000	
---	0636.302.021	SCREW PLUG	1		00.00.0000		M18X1,5			5	0,090	
---	0634.801.062	SEALING RING	1		00.00.0000		18X24			5	0,001	

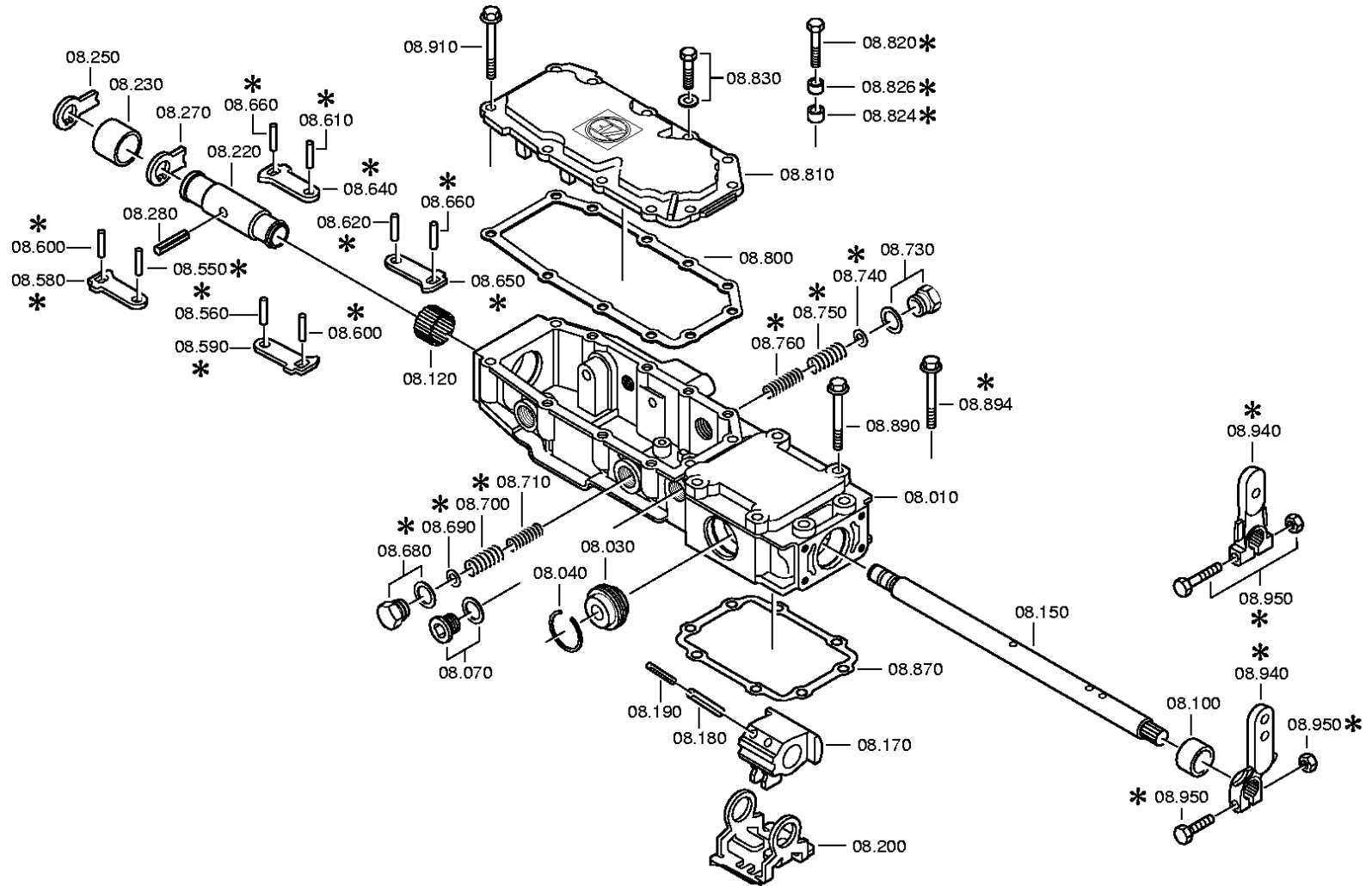
VKF Incidence factor

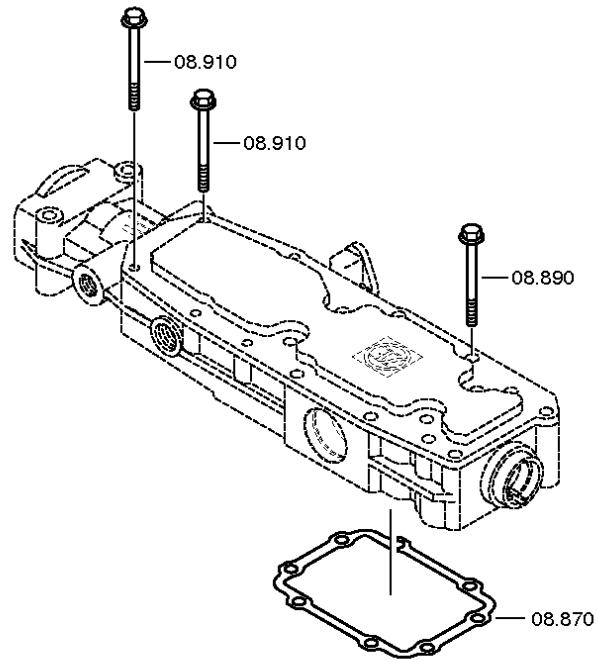
OTK Optional technical kit

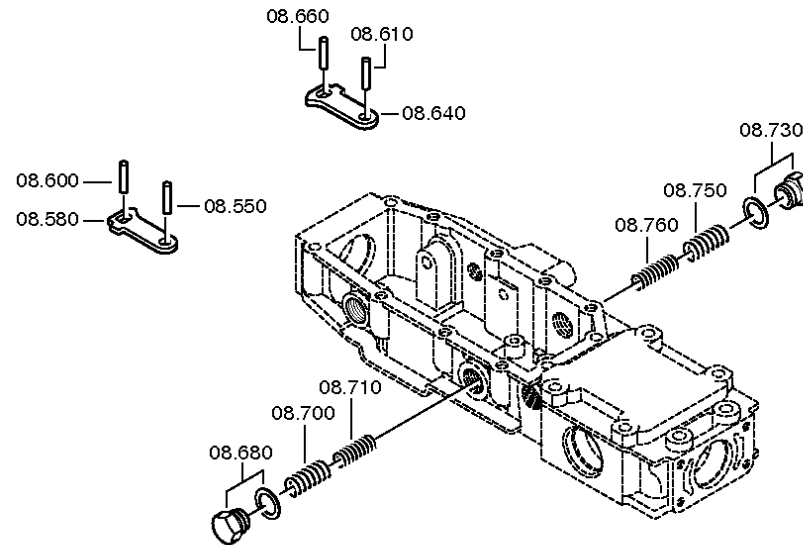
ID Identification (output code)

SP Supplier plant











Pos.	Material number	Name	VKF	Amend. no.	Amend. start	Prod. no.	Material feature / tech. info.	OTK	External material no.	ID	Weight	SP
10	1315.307.197	GEAR SHIFT HOUSING	1		00.00.0000					5	0,000	
30	0501.209.212	DETENT	1		00.00.0000		KPL.			5	0,000	
40	0630.532.130	V-RING	1		00.00.0000					5	0,000	
70	---	SCREW PLUG	1	C0100132 2B10	00.00.0000	00.00.0000	50N.M*DICHTRING M22X1,5			3	0,000	
---	0636.302.045	SCREW PLUG	1		00.00.0000		M22X1,5			5	0,040	
---	0730.009.515	SEALING RING	1		00.00.0000		A22X27			5	0,000	
100	0730.260.330	BEARING BUSH	1		00.00.0000		A=20,00 IN 0730 260 546(2)			5	0,000	
120	0635.303.053	NEEDLE SLEEVE	1		00.00.0000		25X32X20			5	120	
150	1315.307.230	GEAR SHIFT SHAFT	1		00.00.0000					5	0,000	
170	---	DRIVER	1		00.00.0000		W I			3	0,000	
---	1315.307.188	DRIVER	1		00.00.0000		WB I			5	0,000	
---	1315.307.092	DRIVER	1		00.00.0000					5	0,000	
180	0631.329.101	SLOTPIN	2		00.00.0000		10X45			5	15	
190	0631.329.073	SLOTPIN	2		00.00.0000		6X45			5	0,000	
200	1315.307.308	LOCKING PIECE	1	C0100798 8910	00.00.0000	00.00.0000				5	0,000	
220	1315.307.202	QUILL SHAFT	1		00.00.0000					5	0,000	
230	0730.063.273	BUSH	1		00.00.0000		A=28,20 IN 0730 063 272(3)			5	0,000	
250	1315.307.305	DETENT SHEET	1	C0100328 3A10	00.00.0000	00.00.0000				5	0,000	
270	1315.307.111	DETENT SHEET	1		00.00.0000					5	0,000	
280	0631.329.117	SLOTPIN	1		00.00.0000		10X32			5	0,000	
550	0631.306.832	CYLINDRICAL PIN	1		00.00.0000		6X20			5	0,000	
580	1315.307.203	DETENT LEVER	1		00.00.0000					5	0,000	
600	0631.306.832	CYLINDRICAL PIN	1		00.00.0000		6X20			5	0,000	
610	0631.306.832	CYLINDRICAL PIN	1		00.00.0000		6X20			5	0,000	
640	1315.307.203	DETENT LEVER	1		00.00.0000					5	0,000	
660	0631.306.832	CYLINDRICAL PIN	1		00.00.0000		6X20			5	0,000	
680	---	SCREW	1		00.00.0000		M22X1,5			3	0,000	

VKF Incidence factor

OTK Optional technical kit

ID Identification (output code)

SP Supplier plant



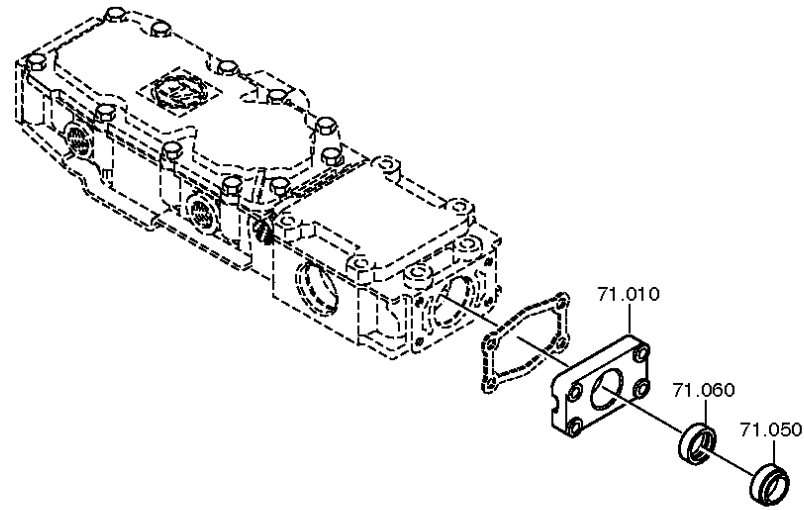
Pos.	Material number	Name	VKF	Amend. no.	Amend. start	Prod. no.	Material feature / tech. info.	OTK	External material no.	ID	Weight	SP
---	1315.307.019	SCREW	1		00.00.0000		M22X1,5 IN 1315 307 363(2)			5	0,000	
---	0730.009.515	SEALING RING	1		00.00.0000		A22X27			5	0,000	
700	0732.040.985	COMPRSPRING	1		00.00.0000					5	0,000	
710	0732.040.984	COMPRSPRING	1		00.00.0000					5	0,000	
730	---	SCREW	1		00.00.0000		M22X1,5			3	0,000	
---	1315.307.019	SCREW	1		00.00.0000		M22X1,5 IN 1315 307 363(2)			5	0,000	
---	0730.009.515	SEALING RING	1		00.00.0000		A22X27			5	0,000	
750	0732.040.985	COMPRSPRING	1		00.00.0000					5	0,000	
760	0732.040.984	COMPRSPRING	1		00.00.0000					5	0,000	
800	1315.307.201	GASKET	1		00.00.0000					5	0,000	
810	1315.307.314	COVER	1		00.00.0000					5	0,000	
830	---	HEXAGON BOLT	7		00.00.0000		M8X30			3	0,000	
---	0636.015.321	HEXAGON BOLT	7		00.00.0000		M8X30			5	0,010	
---	0630.001.075	WASHER	7		00.00.0000					5	0,002	
870	1315.307.013	GASKET	1		00.00.0000					5	0,000	
890	---	HEXAGON BOLT	8		00.00.0000		M8X80			3	0,000	
---	0736.010.203	HEXAGON BOLT	8		00.00.0000					5	0,000	
910	---	HEXAGON BOLT	2		00.00.0000		M8X80			3	0,000	
---	0736.010.203	HEXAGON BOLT	2		00.00.0000					5	0,000	
940	1304.307.361	GEAR SHIFT LEVER	1		00.00.0000		U367 IN 6038 311 831(1)			5	0,000	
950	---	BOLT+NUT	1		00.00.0000		M10X40			3	0,000	
---	0636.015.469	HEXAGON BOLT	1		00.00.0000		M10X40			5	0,030	
---	0637.006.120	HEXAGON NUT	1		00.00.0000		M10			5	0,010	

VKF Incidence factor

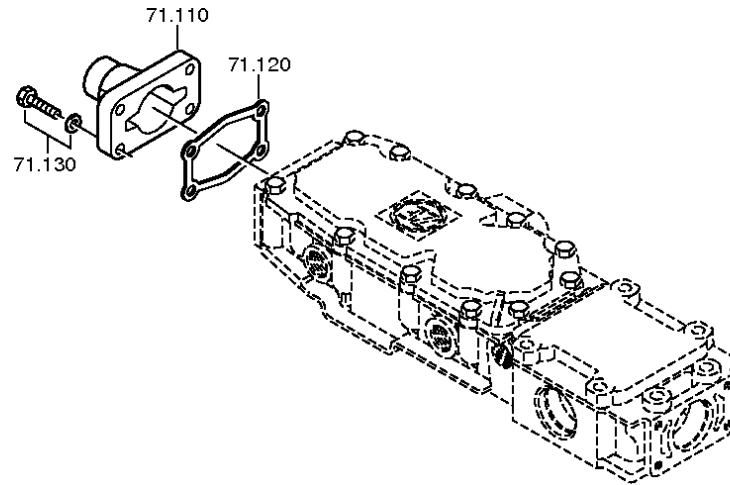
OTK Optional technical kit

ID Identification (output code)

SP Supplier plant









**There is presently no plate available for this parts list/ assembly.**

Parts list  
Page 1 from 1

Material number: 1315.051.712      16 S 151 / KAMAZ PUBLIC JOINT STOCK COMPANY  
Plant: 068.08.20-1  
Material-assembly-group-no: 1316.171.003



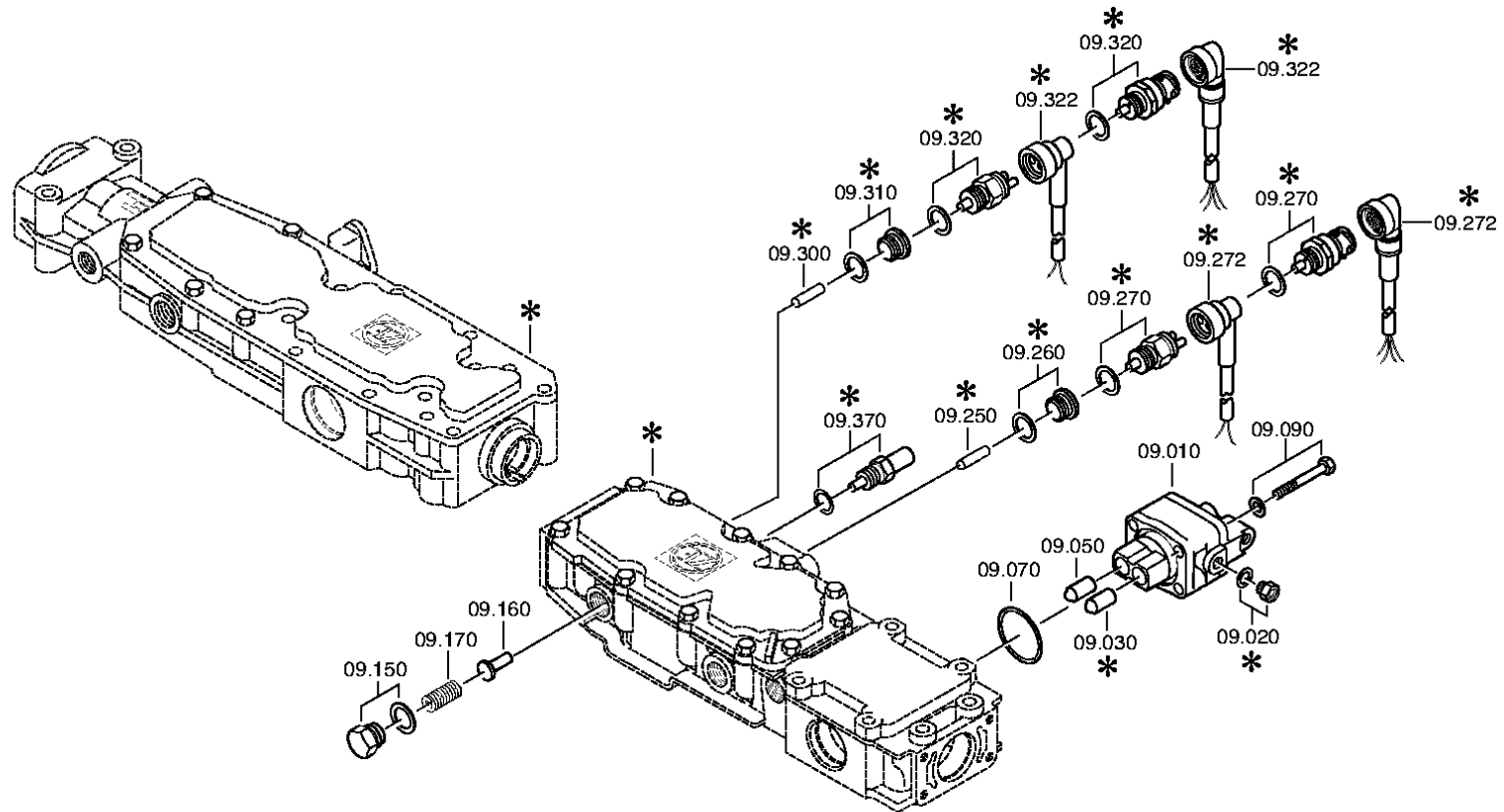
Pos.	Material number	Name	VKF	Amend. no.	Amend. start	Prod. no.	Material feature / tech. info.	OTK	External material no.	ID	Weight	SP
10	1315.307.229	COVER	1		00.00.0000					5	0,000	
20	0501.318.308	GASKET	1		00.00.0000					5	0,000	
30	---	HEXAGON BOLT	4		00.00.0000		M8X30			3	0,000	
---	0636.015.321	HEXAGON BOLT	4		00.00.0000		M8X30			5	0,010	
---	0630.001.075	WASHER	4		00.00.0000					5	0,002	
50	0634.307.367	SCRAPER	1		00.00.0000					5	0,009	
60	---	SHAFT SEAL	1	C0100893 3B10	00.00.0000	00.00.0000	25X35X7			3	0,000	
---	0734.300.196	SHAFT SEAL	1		00.00.0000		25X35X7 FA.CFW			5	0,000	
110	1315.307.228	COVER	1		00.00.0000		LL+SE			5	0,000	
120	0501.318.308	GASKET	1	C0100863 4A10	00.00.0000	00.00.0000				5	0,000	
130	---	HEXAGON BOLT	4		00.00.0000		M8X30			3	0,000	
---	0636.015.321	HEXAGON BOLT	4		00.00.0000		M8X30			5	0,010	
---	0630.001.075	WASHER	4		00.00.0000					5	0,002	

VKF Incidence factor

OTK Optional technical kit

ID Identification (output code)

SP Supplier plant





Pos.	Material number	Name	VKF	Amend. no.	Amend. start	Prod. no.	Material feature / tech. info.	OTK	External material no.	ID	Weight	SP
10	6038.202.043	CUT-OFF VALVE	1		00.00.0000		KPL.H-H*ZULUFTDROSSEL 1,55			3	0,000	
30	0501.209.188	BALL ROLLER	1		00.00.0000		KPL.			5	0,000	
50	0501.209.188	BALL ROLLER	1		00.00.0000		KPL.			5	0,000	
70	0634.313.505	O-RING	1		00.00.0000		42X3			5	0,000	
90	---	HEXAGON BOLT	4		00.00.0000		M8X65			3	0,000	
---	0636.010.575	HEXAGON BOLT	4		00.00.0000		M8X65			5	0,000	
---	0630.001.075	WASHER	4		00.00.0000					5	0,002	
150	---	SCREW	1		00.00.0000		M22X1,5			3	0,000	
---	1315.307.019	SCREW	1		00.00.0000		M22X1,5 IN 1315 307 363(2)			5	0,000	
---	0730.009.515	SEALING RING	1		00.00.0000		A22X27			5	0,000	
160	1315.307.173	BOLT	1		00.00.0000		ENTHALT.IN 1250 307 589(2)			5	0,000	
170	0732.041.500	COMPRSPRING	1		00.00.0000					5	0,000	
250	0731.208.230	PIN	1		00.00.0000		A=30,0			5	0,000	
270	---	SWITCH	1	Z0000428 7211	20.05.2010	20.05.2010	OEFF*45N.M*DICHTRING* BAJONETT*SCHUTZKAPPE			3	0,000	
---	0501.216.474	SWITCH	1		00.00.0000		KPL.			5	0,050	
---	0634.801.062	SEALING RING	1		00.00.0000		18X24			5	0,001	
---	0700.300.427	PROTECTING CAP	1		00.00.0000					5	0,005	
272	6029.199.111	PLUG KIT	1		00.00.0000		4POL BU DINBA AMP WINKEL			3	0,000	
/110	6029.201.618	PLUG	1		00.00.0000		KPL.4POL BU DINBA AMP WI			3	0,000	
300	0731.208.230	PIN	1		00.00.0000		A=30,0			5	0,000	
320	---	SWITCH	1	Z0000428 7211	20.05.2010	20.05.2010	SCHL*45N.M*DICHTRING* BAJONETT*SCHUTZKAPPE			3	0,000	
---	0501.210.058	SWITCH	1		00.00.0000		KPL.			5	0,000	
---	0634.801.062	SEALING RING	1		00.00.0000		18X24			5	0,001	
---	0700.300.427	PROTECTING CAP	1		00.00.0000					5	0,005	
322	6029.199.111	PLUG KIT	1		00.00.0000		4POL BU DINBA AMP WINKEL			3	0,000	
/110	6029.201.618	PLUG	1		00.00.0000		KPL.4POL BU DINBA AMP WI			3	0,000	

VKF Incidence factor

OTK Optional technical kit

ID Identification (output code)

SP Supplier plant



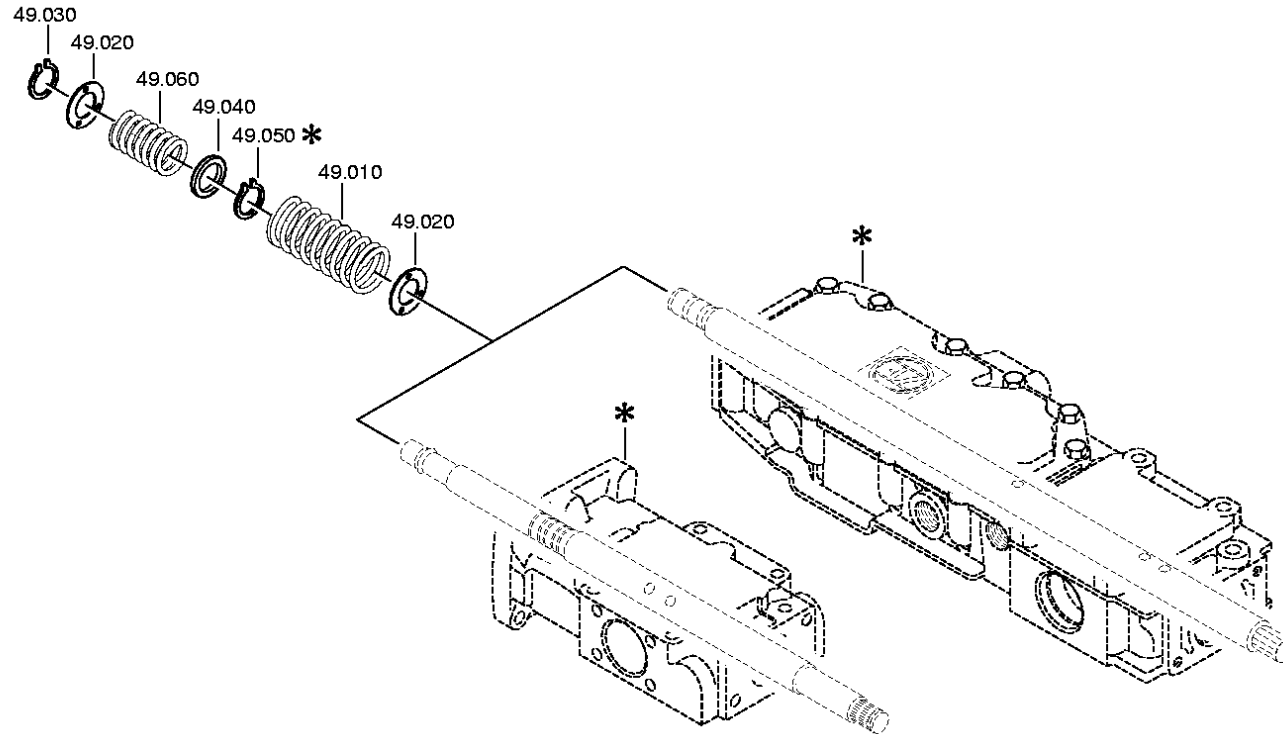
Pos.	Material number	Name	VKF	Amend. no.	Amend. start	Prod. no.	Material feature / tech. info.	OTK	External material no.	ID	Weight	SP
370	---	DETENT PLUNGER	1		00.00.0000		87N*50N.M*WR			3	0,000	
---	1315.207.015	DETENT PLUNGER	1		00.00.0000		KPL. IN 1315 207 010(2)			3	0,000	
---	---	WASHER	1		00.00.0000		S= 1,90- 3,30(ABSTUFUNG:0, 10MM)			3	0,000	
---	0730.007.835	WASHER	1		00.00.0000		A=3,30 IN 0730 007 611(3)			5	0,000	
---	0730.007.834	WASHER	1		00.00.0000		A=3,20 IN 0730 007 611(3)			5	0,000	
---	0730.007.833	WASHER	1		00.00.0000		A=3,10 IN 0730 007 611(3)			5	0,000	
---	0730.007.832	WASHER	1		00.00.0000		A=3,00 IN 0730 007 611(3)			5	0,000	
---	0730.007.831	WASHER	1		00.00.0000		A=2,90 IN 0730 007 611(3)			5	0,000	
---	0730.007.621	WASHER	1		00.00.0000		A=2,80 IN 0730 007 611(3)			5	0,000	
---	0730.007.620	WASHER	1		00.00.0000		A=2,70 IN 0730 007 611(3)			5	0,000	
---	0730.007.619	WASHER	1		00.00.0000		A=2,60 IN 0730 007 611(3)			5	0,000	
---	0730.007.618	WASHER	1		00.00.0000		A=2,50 IN 0730 007 611(3)			5	0,000	
---	0730.007.617	WASHER	1		00.00.0000		A=2,40 IN 0730 007 611(3)			5	0,000	
---	0730.007.616	WASHER	1		00.00.0000		A=2,30 IN 0730 007 611(3)			5	0,000	
---	0730.007.615	WASHER	1		00.00.0000		A=2,20 IN 0730 007 611(3)			5	0,000	
---	0730.007.614	WASHER	1		00.00.0000		A=2,10 IN 0730 007 611(3)			5	0,000	
---	0730.007.613	WASHER	1		00.00.0000		A=2,00 IN 0730 007 611(3)			5	0,000	
---	0730.007.612	WASHER	1		00.00.0000		A=1,90 IN 0730 007 611(3)			5	0,000	

VKF Incidence factor

OTK Optional technical kit

ID Identification (output code)

SP Supplier plant





Pos.	Material number	Name	VKF	Amend. no.	Amend. start	Prod. no.	Material feature / tech. info.	OTK	External material no.	ID	Weight	SP
10	0732.040.765	COMPRSPRING	1		00.00.0000					5	0,000	
20	0730.104.083	WASHER	2		00.00.0000		A=2,00 IN 0730 104 527(2)			5	0,000	
30	0630.532.138	V-RING	1		00.00.0000					5	0,000	
40	0730.100.214	WASHER	1		00.00.0000					5	0,000	
50	0630.532.138	V-RING	1		00.00.0000					5	0,000	
60	0732.040.904	COMPRSPRING	1		00.00.0000					5	0,000	

**VKF** Incidence factor

**OTK** Optional technical kit

**ID** Identification (output code)

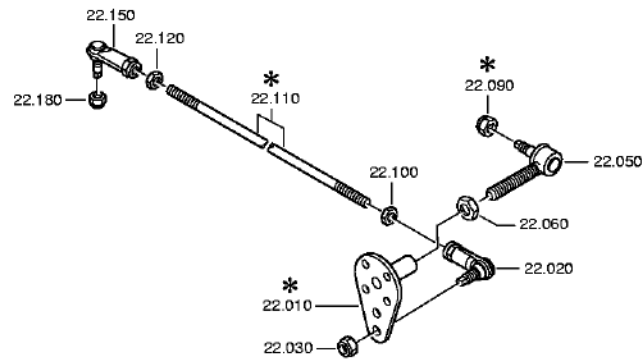
**SP** Supplier plant





Bildtafel:  
Figure: 068.14.02  
Figure:  
Figura:

je nach Stücklistenausführung  
depending on spec. number  
\* suivant la nomenclature  
secondo la distinta base





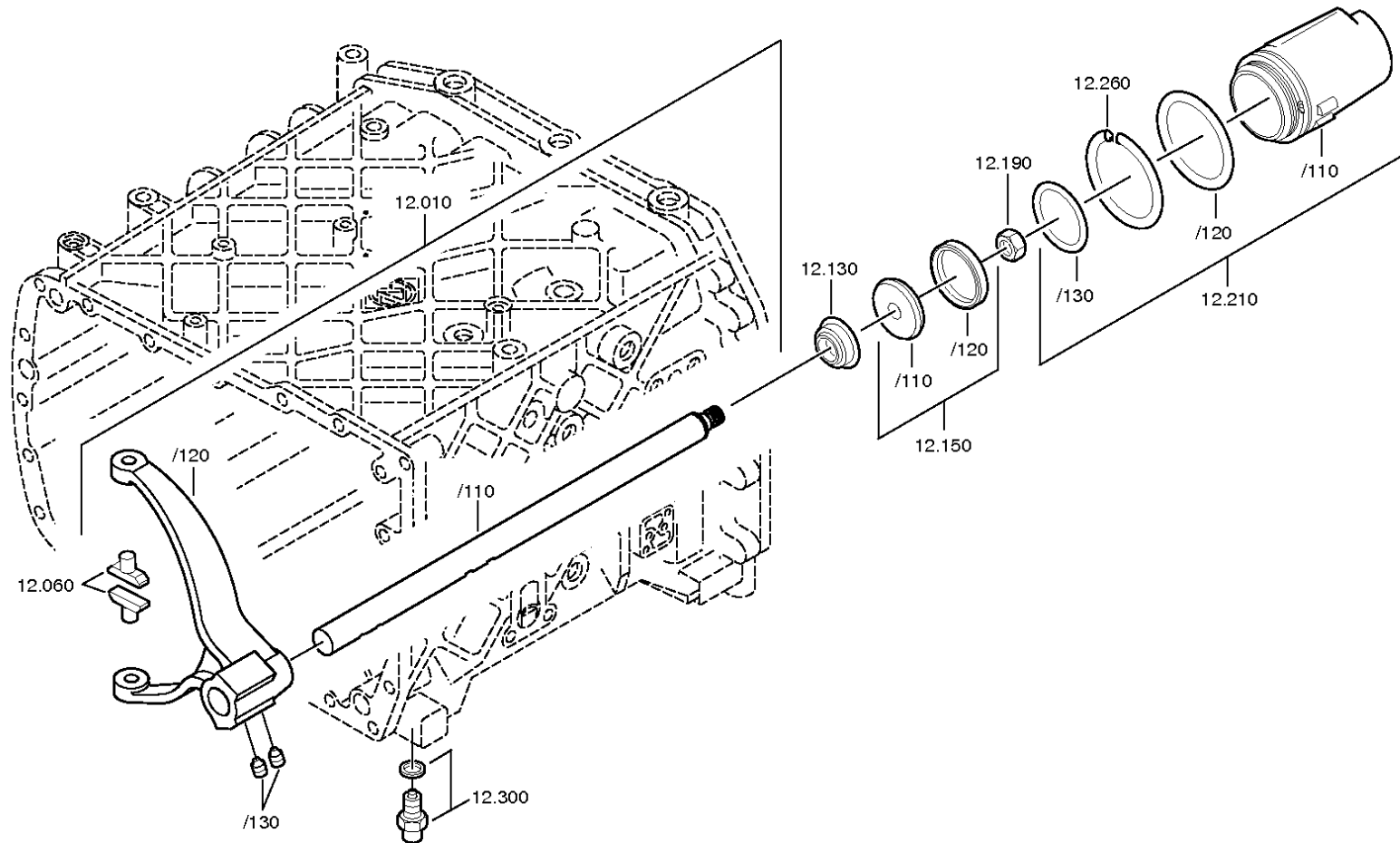
Pos.	Material number	Name	VKF	Amend. no.	Amend. start	Prod. no.	Material feature / tech. info.	OTK	External material no.	ID	Weight	SP
20	0501.215.954	BALL JOINT	1		00.00.0000		KPL.LI			5	0,000	
30	0637.011.656	HEXAGON NUT	1		00.00.0000		M10			5	0,000	
50	0501.204.714	BALL JOINT	1		00.00.0000		KPL. IN 0501 206 327(2)			5	0,000	
60	---	HEXAGON NUT	1		00.00.0000		M14X1,5			3	0,000	
---	0637.006.180	HEXAGON NUT	1		00.00.0000		M14X1,5			5	25	
90	---	LOCKING NUT	1		00.00.0000		M10X1			3	0,000	
---	0637.011.589	HEXAGON NUT	1		00.00.0000		M10X1			5	0,000	
100	---	HEXAGON NUT	1		00.00.0000		M12 LH			3	0,000	
---	0637.006.215	HEXAGON NUT	1		00.00.0000		M12			5	0,000	
120	---	HEXAGON NUT	1		00.00.0000		M12			3	0,000	
---	0637.006.202	HEXAGON NUT	1		00.00.0000		M12			5	0,010	
150	0501.215.940	BALL JOINT	1		00.00.0000		KPL.RE			5	0,000	
180	0637.011.656	HEXAGON NUT	1		00.00.0000		M10			5	0,000	

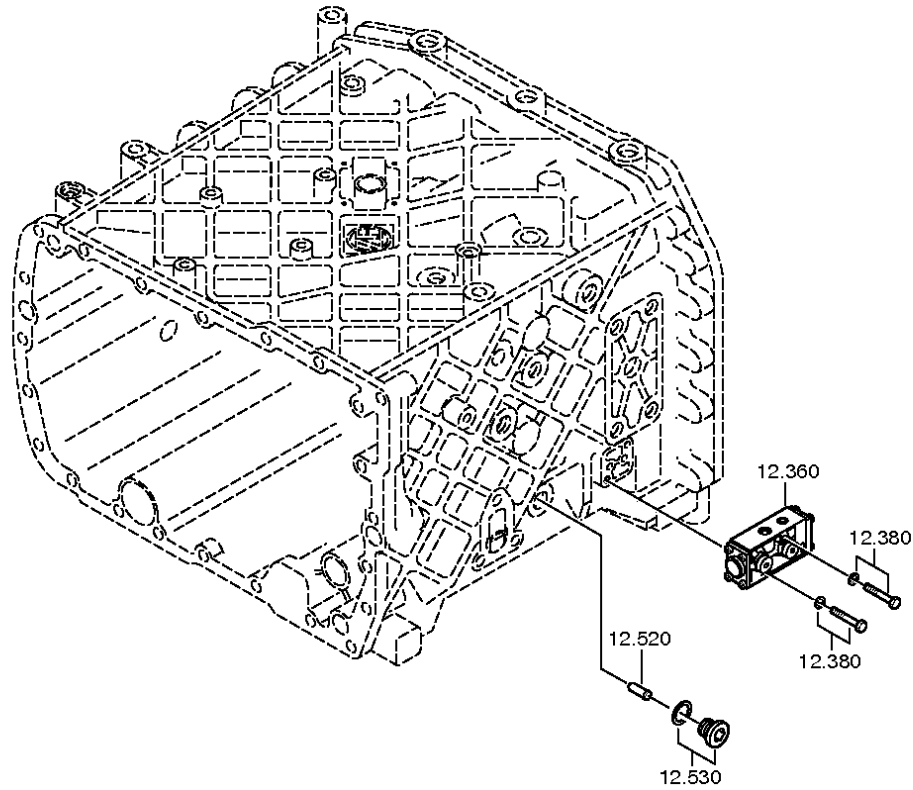
**VKF** Incidence factor

**OTK** Optional technical kit

**ID** Identification (output code)

**SP** Supplier plant







Pos.	Material number	Name	VKF	Amend. no.	Amend. start	Prod. no.	Material feature / tech. info.	OTK	External material no.	ID	Weight	SP
10	1315.212.013	GEAR SHIFT RAIL	1		00.00.0000		KPL.GV.LAG.GEH.1			3	0,000	
/110	1315.312.073	GEAR SHIFT RAIL	1		00.00.0000					5	0,000	
/120	1315.312.074	GEAR SHIFT FORK	1		00.00.0000		GV ECO 3			5	0,000	
/130	---	SET SCREW	2		00.00.0000		M12X1			3	0,000	
---	1315.312.047	SET SCREW	2		00.00.0000					5	0,000	
60	1316.306.015	SLIDING PAD	2		00.00.0000					5	0,000	
130	0750.112.131	FLANGE PACKING	1	Z0000358 8010	31.12.2010	31.12.2010	25X40X15			3	0,000	
150	1315.212.008	PISTON	1		00.00.0000		KPL.			3	0,000	
/110	---	PISTON	1		00.00.0000		GV SINTER/STAHL			3	0,000	
---	1315.312.020	PISTON	1		00.00.0000		GV			5	0,000	
---	1315.312.003	PISTON	1		00.00.0000		GV			5	0,000	
/120	0750.112.177	DOUBLE U-PACKING	1		00.00.0000		55X63X9,4			3	0,000	
190	---	LOCKING NUT	1		00.00.0000		M16X1,5			3	0,000	
---	0737.006.095	LOCKING NUT	1		00.00.0000		MS16X1,5 ZFN99			5	0,000	
210	1315.212.010	CYLINDER	1		00.00.0000		KPL.			3	0,000	
/110	1315.312.048	CYLINDER	1		00.00.0000		ENTHALT.IN 1315 312 033(1)			5	0,000	
/120	0634.313.018	O-RING	1		00.00.0000		82X3			5	0,000	
/130	0634.313.320	O-RING	1		00.00.0000		67X3			5	0,000	
260	1315.312.034	SPRING	1		00.00.0000					5	0,000	
300	---	DETENT PLUNGER	1		00.00.0000		235N*50N.M			3	0,000	
---	1313.207.003	DETENT PLUNGER	1	C0100986 0C10	00.00.0000	00.00.0000	KPL. IN 1313 207 001(2)			3	0,000	
---	0730.008.604	SEALING RING	1	C0100986 0C10	00.00.0000	00.00.0000	A16X22			5	0,000	
360	0501.215.359	5/2 WAY VALVE	1	C0100400 3F10	00.00.0000	00.00.0000	KPL.SG			5	0,000	
/20	0634.314.020	O-RING	1		00.00.0000		8X2			5	0,000	
/22	0634.314.020	O-RING	1		00.00.0000		8X2			5	0,000	
380	---	HEXAGON BOLT	2		00.00.0000		M6X40			3	0,000	
---	0636.010.740	HEXAGON BOLT	2		00.00.0000		M6X40			5	0,000	

VKF Incidence factor

OTK Optional technical kit

ID Identification (output code)

SP Supplier plant



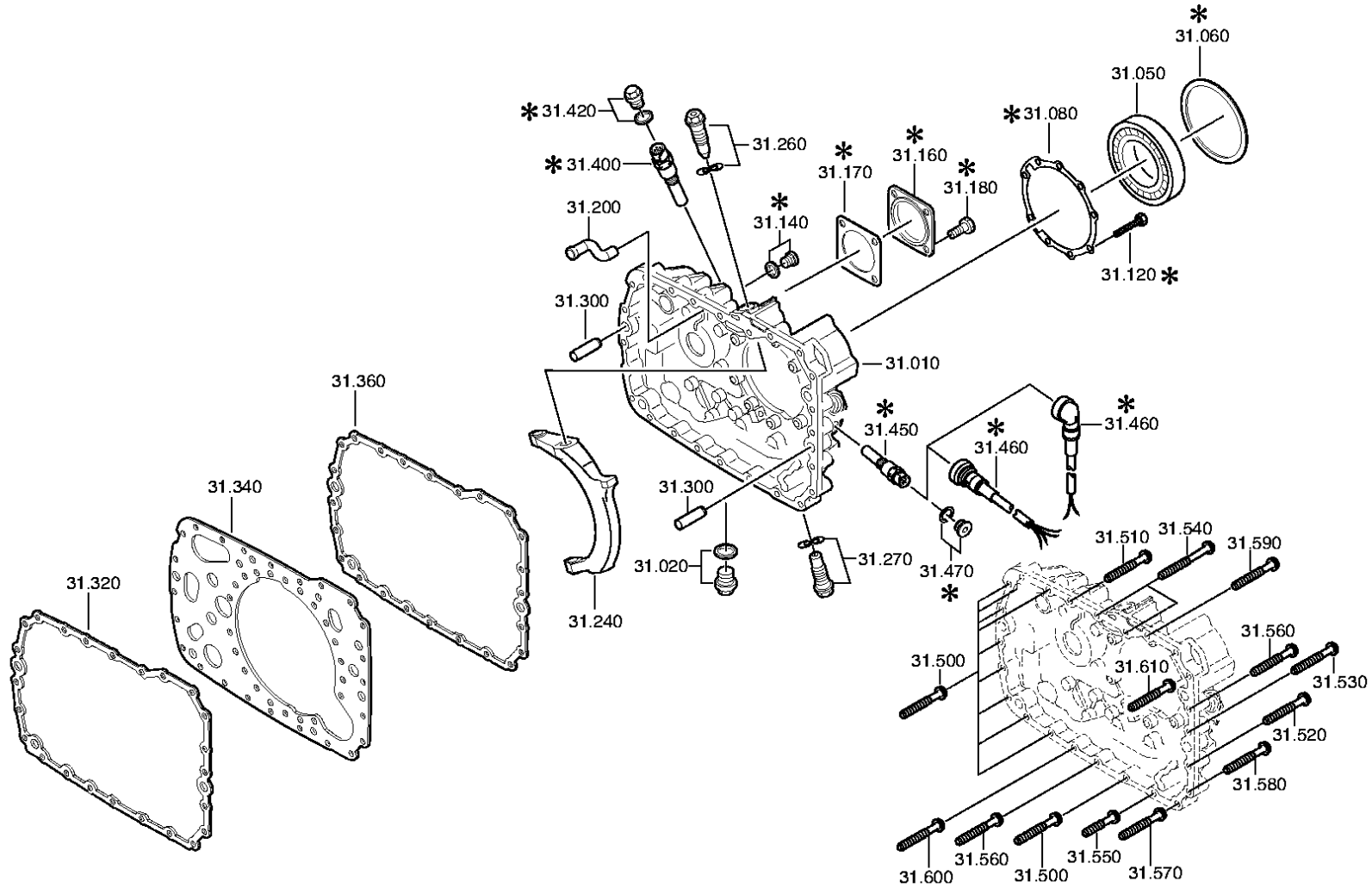
Pos.	Material number	Name	VKF	Amend. no.	Amend. start	Prod. no.	Material feature / tech. info.	OTK	External material no.	ID	Weight	SP
---	0630.001.076	WASHER	2		00.00.0000					5	0,001	
520	1295.212.006	PIN	1		00.00.0000		KPL.			3	0,000	
530	---	SCREW PLUG	1		00.00.0000		35N.M*DICHTRING M18X1,5			3	0,000	
---	0636.302.021	SCREW PLUG	1		00.00.0000		M18X1,5			5	0,090	
---	0634.801.062	SEALING RING	1		00.00.0000		18X24			5	0,001	

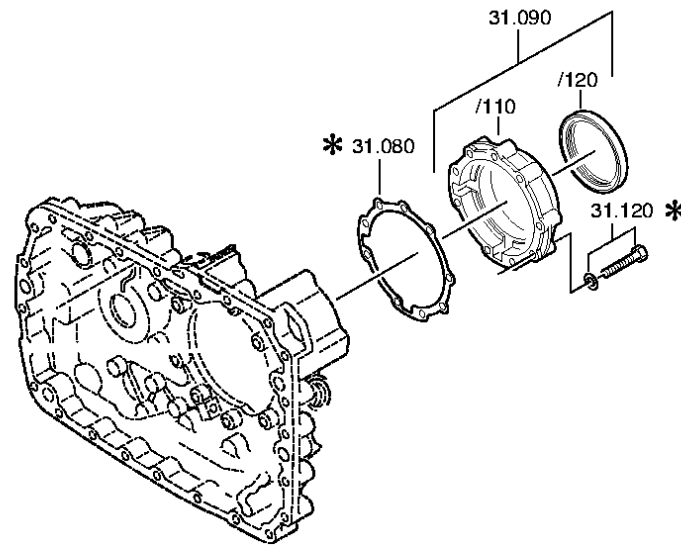
**VKF** Incidence factor

**OTK** Optional technical kit

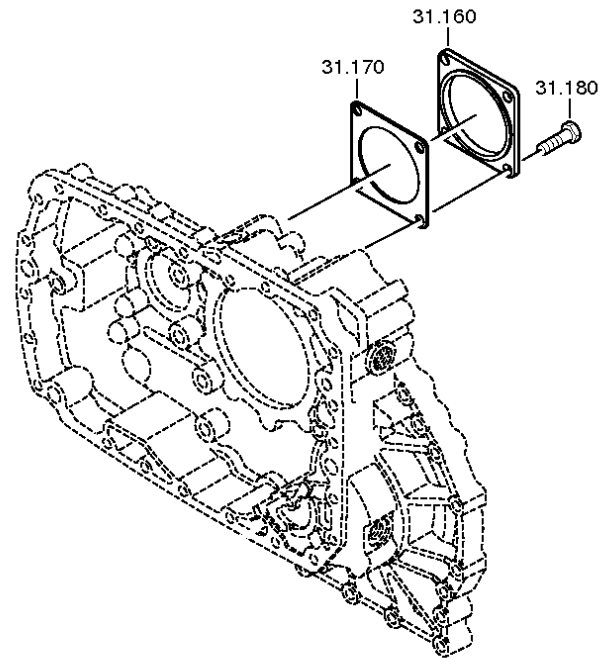
**ID** Identification (output code)

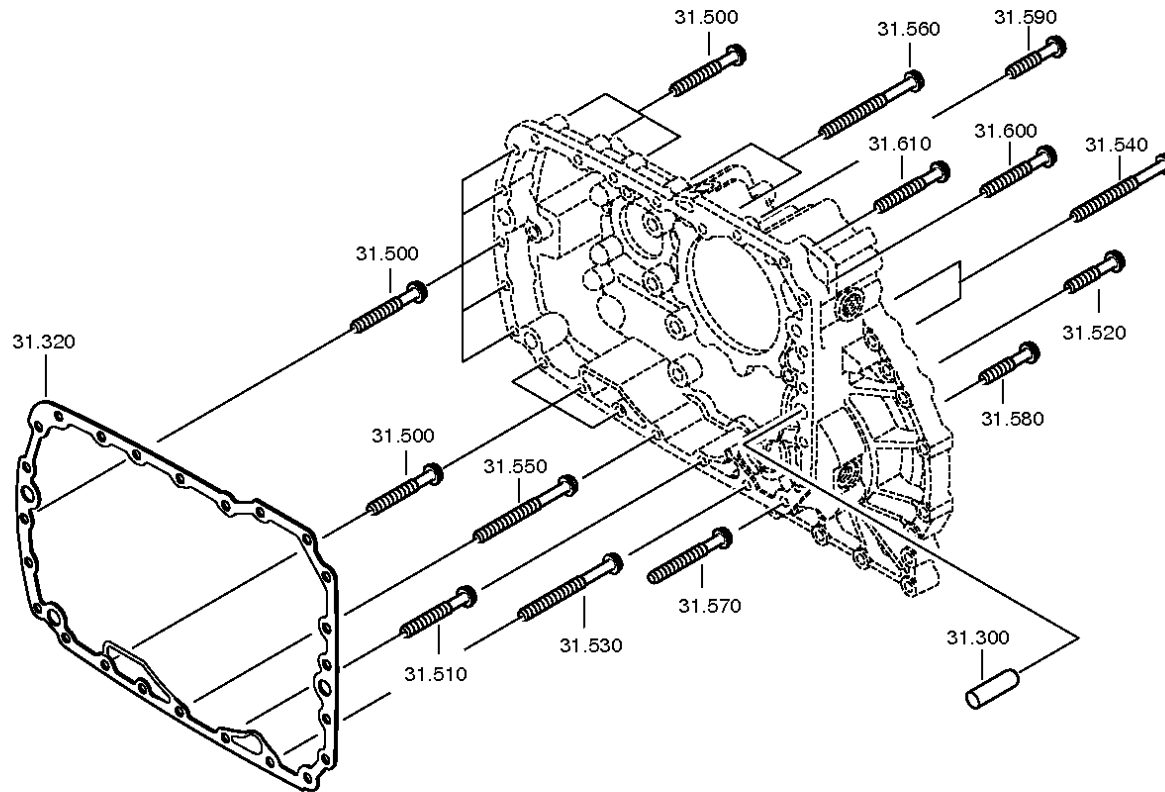
**SP** Supplier plant













Pos.	Material number	Name	VKF	Amend. no.	Amend. start	Prod. no.	Material feature / tech. info.	OTK	External material no.	ID	Weight	SP
10	1315.301.224	HOUSING	1		00.00.0000		ENTHALT.IN 1315 301 222(0)			5	0,000	
20	---	SCREW PLUG	1		00.00.0000		60N.M*DICHTRING M24X1,5			3	0,000	
---	0636.304.049	SCREW PLUG	1		00.00.0000		M24X1,5			5	0,094	
---	0730.008.637	SEALING RING	1		00.00.0000		A24X29			5	0,000	
50	0750.116.394	BALL BEARING	1	C0100721 4E10	00.00.0000	00.00.0000				3	0,000	
80	1315.331.001	GASKET	1	C0100535 0C10	00.00.0000	00.00.0000				5	0,000	
90	1315.231.004	COVER	1		00.00.0000		KPL.			3	0,000	
/120	0750.111.341	SHAFT SEAL	1		00.00.0000		105X130X12			3	0,000	
120	0636.015.601	HEXAGON BOLT	9	Z0000227 8710	01.03.2011	01.03.2011	M10X60			5	0,000	
140	---	SCREW PLUG	1	C0100435 9F10	00.00.0000	00.00.0000	15N.M*DICHTRING M10X1			3	0,000	
---	0636.302.053	SCREW PLUG	1		00.00.0000		M10X1			5	0,100	
---	0730.008.055	SEALING RING	1		00.00.0000		A10X14			5	0,000	
160	1304.301.034	COVER	1		00.00.0000					5	0,000	
170	1238.308.201	GASKET	1		00.00.0000		ENTHALT.IN 1238 308 202(2)			5	0,000	
180	---	HEXAGON BOLT	4		00.00.0000		M12X25			3	0,000	
---	0636.016.178	HEXAGON BOLT	4		00.00.0000		M12X25			5	0,035	
200	1296.301.008	SPRAY TUBE	1		00.00.0000					5	0,000	
240	1315.334.039	GEAR SHIFT FORK	1		00.00.0000					5	0,000	
260	---	ARTICULATION BOLT	1	Z0000407 5611	31.12.2010	31.12.2010	O.SCHEIBE M24X1,5 SK6			3	0,000	
---	1315.334.074	ARTICULATION BOLT	1	Z0000407 5610	01.12.2010	01.12.2010				5	0,000	
270	---	ARTICULATION BOLT	1	Z0000407 5611	31.12.2010	31.12.2010	O.SCHEIBE M24X1,5 SK6			3	0,000	
---	1315.334.074	ARTICULATION BOLT	1	Z0000407 5610	01.12.2010	01.12.2010				5	0,000	
300	0731.201.563	CYLINDRICAL PIN	3		00.00.0000					5	0,000	

VKF Incidence factor

OTK Optional technical kit

ID Identification (output code)

SP Supplier plant



Pos.	Material number	Name	VKF	Amend. no.	Amend. start	Prod. no.	Material feature / tech. info.	OTK	External material no.	ID	Weight	SP
320	1316.301.042	GASKET	1		00.00.0000					5	0,000	
340	1315.301.118	INTERMPLATE	1		00.00.0000		ENTHALT.IN 1315 301 144(0)			5	0,000	
360	1316.301.042	GASKET	1		00.00.0000					5	0,000	
420	---	SCREW PLUG	1		00.00.0000		35N.M*DICHTRING M18X1,5			3	0,000	
---	0636.302.021	SCREW PLUG	1		00.00.0000		M18X1,5			5	0,090	
---	0634.801.062	SEALING RING	1		00.00.0000		18X24			5	0,001	
450	---	PULSE SENSOR	1	Z0000428 7211	20.05.2010	20.05.2010	35N.M*FLAECHENDICHTG* SCHUTZKAPPE			3	0,000	
---	0501.208.795	PULSE SENSOR	1	Z0000428 7210	20.05.2010	20.05.2010	KPL. IN 0501 208 790(1)			5	0,000	
---	0666.790.033	SEALCOMPOUND	1	Z0000428 7210	20.05.2010	20.05.2010				5	0,310	
---	0700.300.427	PROTECTING CAP	1	Z0000428 7210	20.05.2010	20.05.2010				5	0,005	
500	---	HEXAGON BOLT	11		00.00.0000		M10X70			3	0,000	
---	0736.010.180	HEXAGON BOLT	11		00.00.0000		M10X70 IN 0736 010 183(2)			5	0,000	
510	---	HEXAGON BOLT	1		00.00.0000		M10X70			3	0,000	
---	0736.010.180	HEXAGON BOLT	1		00.00.0000		M10X70 IN 0736 010 183(2)			5	0,000	
520	---	HEXAGON BOLT	1		00.00.0000		M10X70			3	0,000	
---	0736.010.180	HEXAGON BOLT	1		00.00.0000		M10X70 IN 0736 010 183(2)			5	0,000	
530	---	HEXAGON BOLT	1		00.00.0000		M10X70			3	0,000	
---	0736.010.180	HEXAGON BOLT	1		00.00.0000		M10X70 IN 0736 010 183(2)			5	0,000	
540	---	HEXAGON BOLT	2		00.00.0000		M10X110			3	0,000	
---	0736.010.181	HEXAGON BOLT	2		00.00.0000		M10X110 IN 0736 010 183(2)			5	0,000	
550	---	HEXAGON BOLT	1	Z0000420 0110	01.03.2011	01.03.2011	M10X45			3	0,000	
---	0736.010.228	HEXAGON BOLT	1		00.00.0000		M10X45 IN 0736 010 183(2)			5	0,000	
560	---	HEXAGON BOLT	2		00.00.0000		M10X70			3	0,000	
---	0736.010.180	HEXAGON BOLT	2		00.00.0000		M10X70 IN 0736 010 183(2)			5	0,000	
570	---	HEXAGON BOLT	1		00.00.0000		M10X70			3	0,000	
---	0736.010.180	HEXAGON BOLT	1		00.00.0000		M10X70 IN 0736 010 183(2)			5	0,000	

VKF Incidence factor

OTK Optional technical kit

ID Identification (output code)

SP Supplier plant



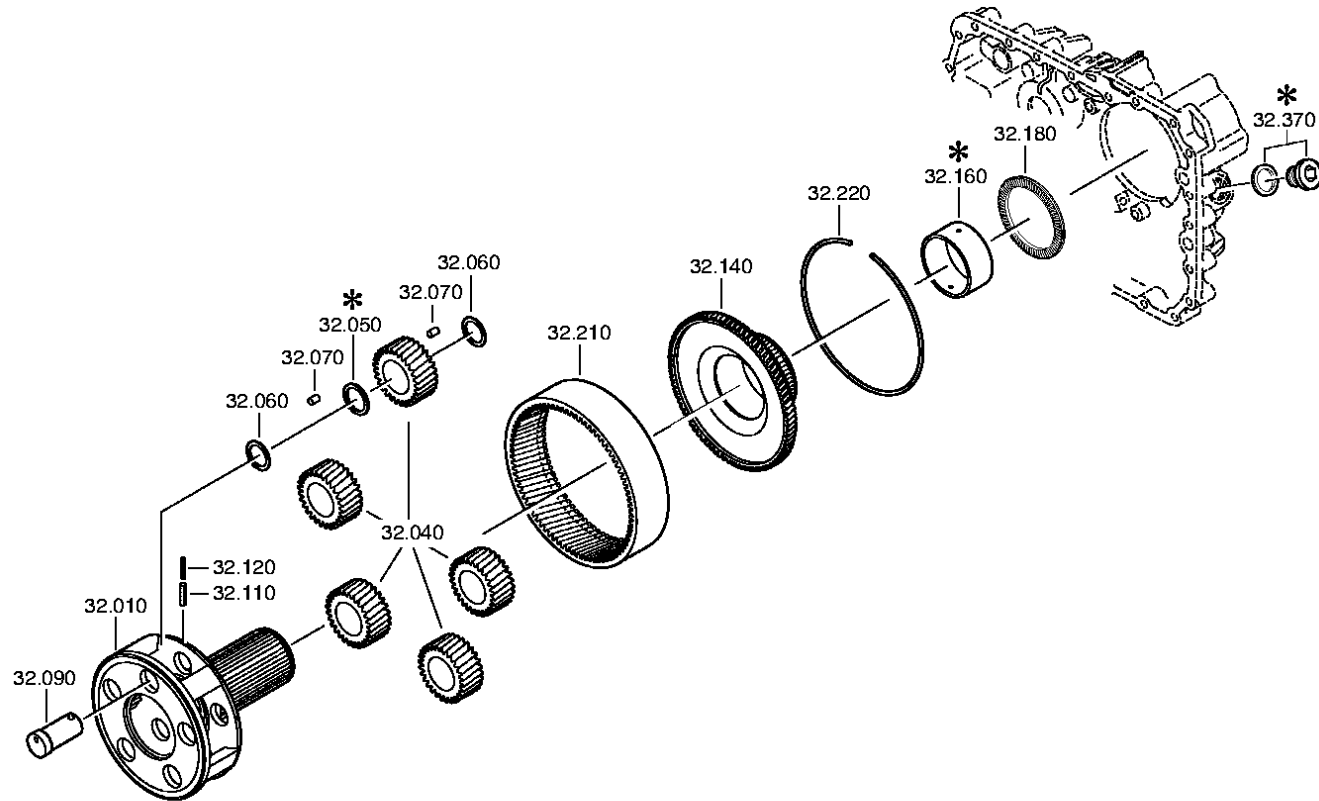
Pos.	Material number	Name	VKF	Amend. no.	Amend. start	Prod. no.	Material feature / tech. info.	OTK	External material no.	ID	Weight	SP
580	---	HEXAGON BOLT	1		00.00.0000		M10X70			3	0,000	
---	0736.010.180	HEXAGON BOLT	1		00.00.0000		M10X70 IN 0736 010 183(2)			5	0,000	
590	---	HEXAGON BOLT	1	Z0000420 0110	01.03.2011	01.03.2011	M10X45			3	0,000	
---	0736.010.228	HEXAGON BOLT	1		00.00.0000		M10X45 IN 0736 010 183(2)			5	0,000	
600	---	HEXAGON BOLT	1		00.00.0000		M10X70			3	0,000	
---	0736.010.180	HEXAGON BOLT	1		00.00.0000		M10X70 IN 0736 010 183(2)			5	0,000	
610	---	HEXAGON BOLT	1		00.00.0000		M10X70			3	0,000	
---	0736.010.180	HEXAGON BOLT	1		00.00.0000		M10X70 IN 0736 010 183(2)			5	0,000	

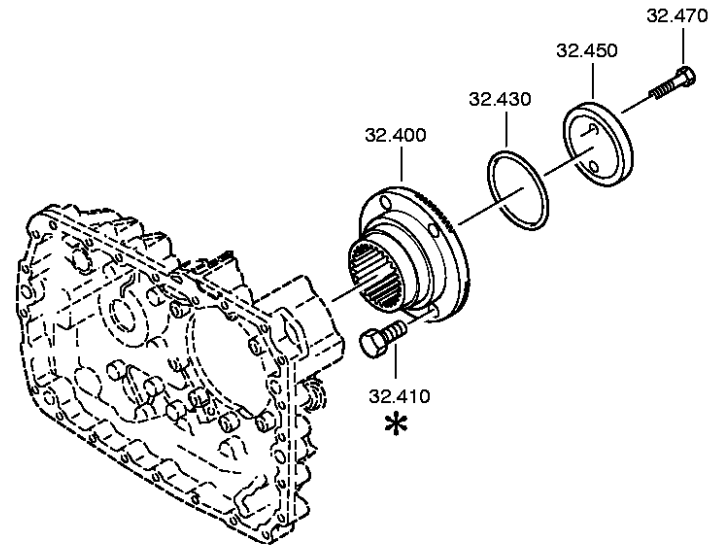
**VKF** Incidence factor

**OTK** Optional technical kit

**ID** Identification (output code)

**SP** Supplier plant







Pos.	Material number	Name	VKF	Amend. no.	Amend. start	Prod. no.	Material feature / tech. info.	OTK	External material no.	ID	Weight	SP
10	1315.232.017	PLANET CARRIER	1	C0100319 7C10	00.00.0000	00.00.0000	KPL.4,565*SV-GP*FL.PROF.90			3	0,000	
40	1315.232.010	PLANET GEAR SET	1		00.00.0000		KPL.			3	0,000	
60	0730.107.168	INTERMWASHER	15		00.00.0000		A=1,00 IN 0730 105 951(2)			5	0,000	
70	0750.119.116	ROLLER	140		00.00.0000		10,0X16,8			3	0,000	
90	1315.332.053	PLANET SHAFT	5	C0100722 6B10	00.00.0000	00.00.0000	ENTHALT.IN 1316 332 037(2)			5	0,000	
110	0631.329.051	SLOTPIN	5		00.00.0000		5X26			5	0,002	
120	0631.329.167	SLOTPIN	5		00.00.0000		3X26			5	1	
140	1316.332.130	RING GEAR CARRIER	1	C0100730 5F10	00.00.0000	00.00.0000				5	0,000	
160	1316.333.014	INTERMRING	1		00.00.0000					5	0,000	
180	0735.298.169	AXIAL NEEDLE BEARING	1		00.00.0000		104,5X128,4X10,0 FA.INA			5	0,000	
210	1315.332.041	RING GEAR	1		00.00.0000		IN 1316 332 055(1)			5	0,000	
220	0730.513.583	LOCKING WIRE	1		00.00.0000		A=3,20 IN 0730 505 052(2)			5	0,000	
400	1297.333.110	OUTPUT FLANGE	1		00.00.0000		ENTHALT.IN 1314 332 007(0)			5	0,000	
410	---	HEXAGON BOLT	4		00.00.0000		SCHUTZKAPPE M14X1,5X50			3	0,000	
---	0636.100.202	HEXAGON BOLT	4		00.00.0000		M14X1,5X50			5	0,000	
---	1315.332.067	PROTECTING CAP	4		00.00.0000					5	0,000	
430	0634.313.805	O-RING	1	C0100795 9910	00.00.0000	00.00.0000	82X4			5	0,000	
450	1312.332.028	WASHER	1		00.00.0000		ENTHALT.IN 1295 332 063(2)			5	0,000	
470	0636.011.540	HEXAGON BOLT	2		00.00.0000		M12X60			5	0,000	

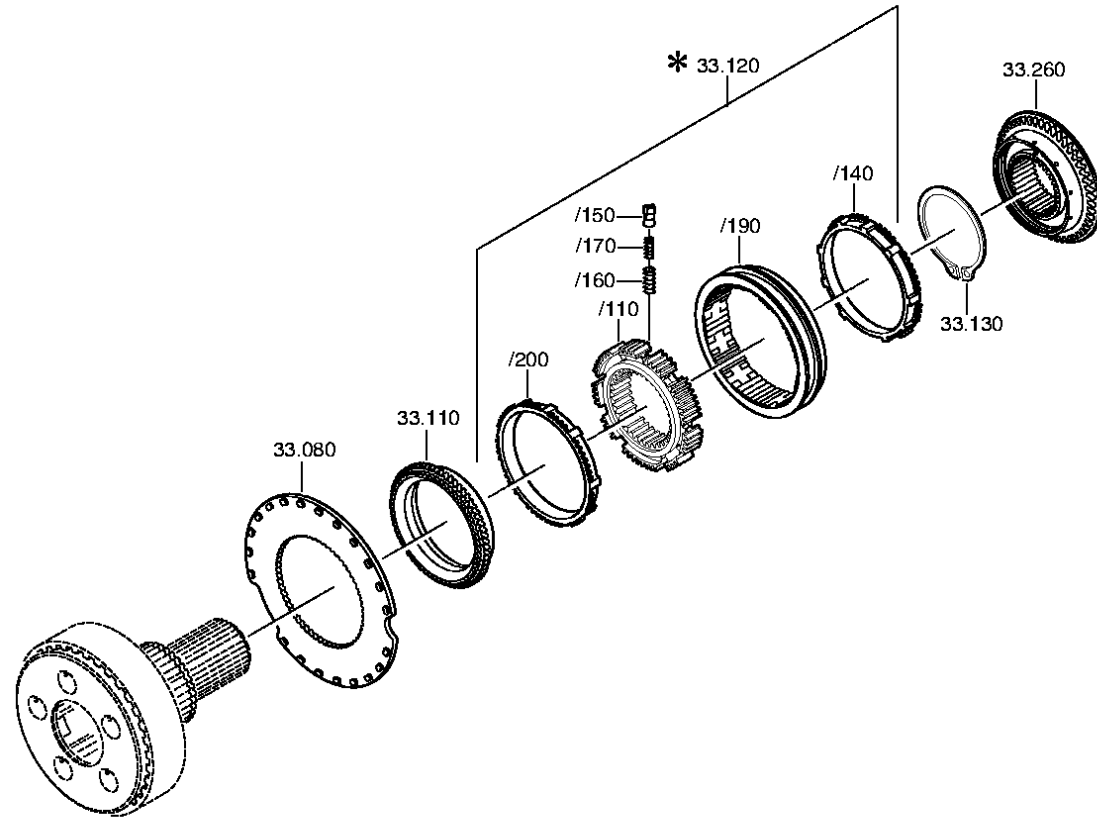
VKF Incidence factor

OTK Optional technical kit

ID Identification (output code)

SP Supplier plant







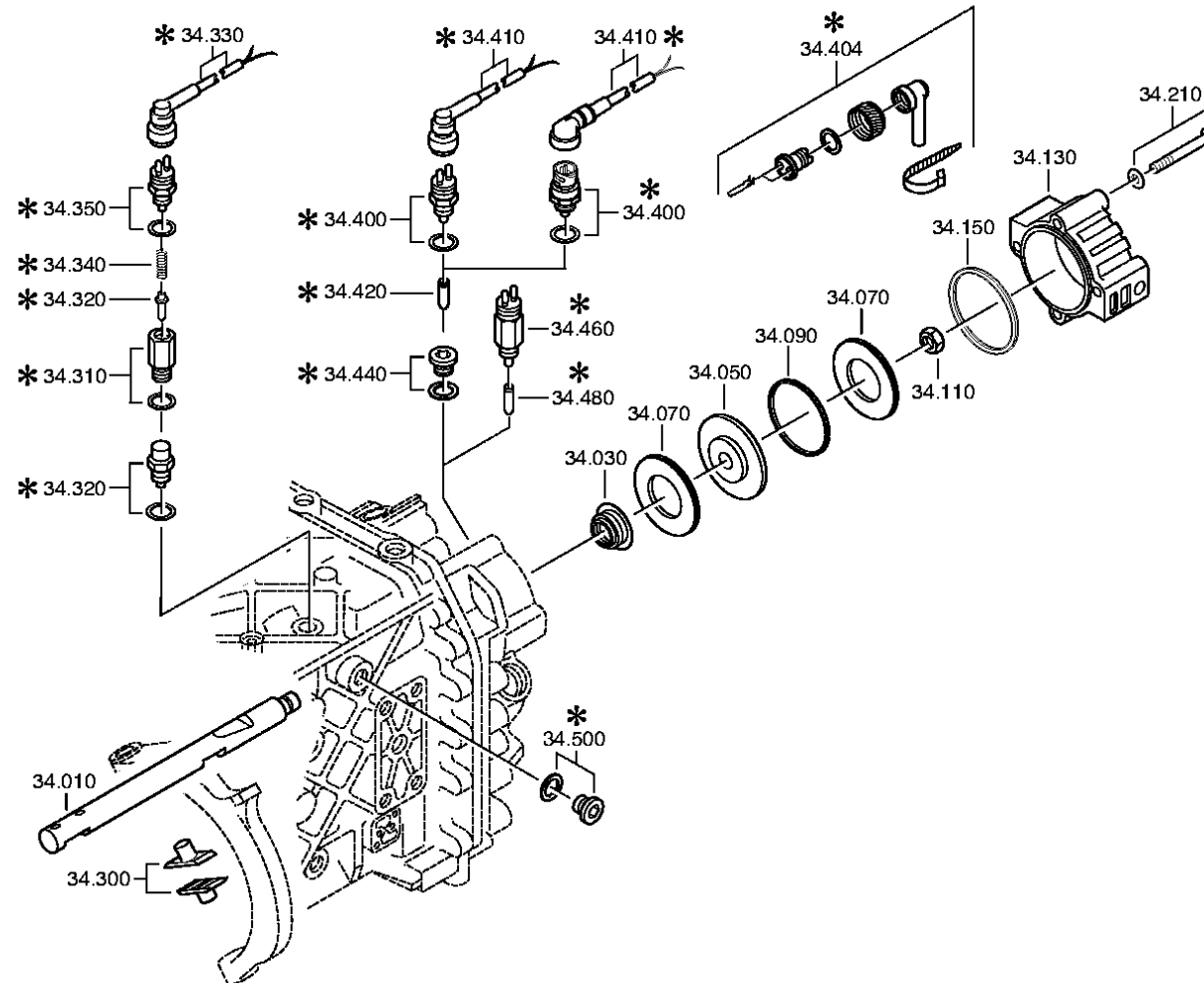
Pos.	Material number	Name	VKF	Amend. no.	Amend. start	Prod. no.	Material feature / tech. info.	OTK	External material no.	ID	Weight	SP
80	1296.333.046	CLUTCH DISC	1		00.00.0000		ENTHALT.IN 1296 333 051(1)			5	0,000	
110	1296.333.050	CLUTCH BODY	1	C0100262 7A10	00.00.0000	00.00.0000	ENTHALT.IN 1296.333.053(1)			5	0,000	
120	1316.233.022	SYNCHRONIZER	1		00.00.0000		KPL.PROFIL 80GV-GP 90SV-GP			3	0,000	
/110	1313.333.001	SYNCHROBODY	1		00.00.0000		ENTHALT.IN 1296 333 014(1)			5	0,000	
/140	1296.333.045	SYNCHRORING	1		00.00.0000					5	0,000	
/150	1240.304.278	PRESSURE PIECE	9		00.00.0000					5	0,000	
/160	0732.040.385	COMPRSPRING	9		00.00.0000					5	0,000	
/170	0732.040.386	COMPRSPRING	9		00.00.0000					5	0,000	
/190	1316.333.034	SLIDING SLEEVE	1	C0100731 7F10	00.00.0000	00.00.0000	ZF-B 165/74 GP			5	0,000	
/200	1296.333.045	SYNCHRORING	1		00.00.0000					5	0,000	
130	0630.501.175	RETAINING RING	1	Z0000694 3010	20.12.2010	20.12.2010	125X3,7			5	0,000	
260	1316.233.029	CLUTCH BODY	1	C0100730 5F10	00.00.0000	00.00.0000	KPL. ZF-B 165/74			3	0,000	

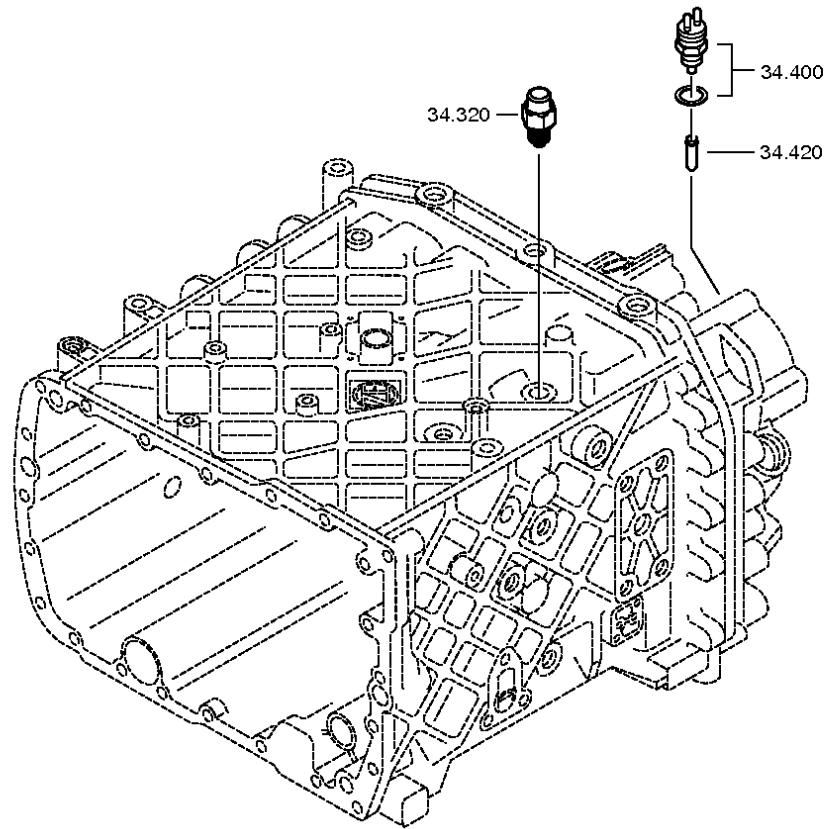
VKF Incidence factor

OTK Optional technical kit

ID Identification (output code)

SP Supplier plant







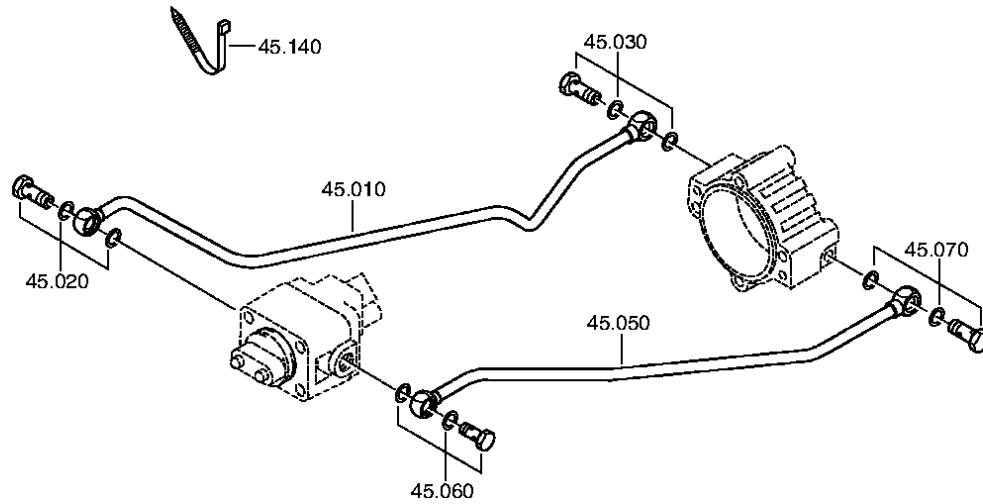
Pos.	Material number	Name	VKF	Amend. no.	Amend. start	Prod. no.	Material feature / tech. info.	OTK	External material no.	ID	Weight	SP
10	1315.334.071	GEAR SHIFT RAIL	1		00.00.0000					5	0,000	
30	0750.112.253	FLANGE PACKING	1		00.00.0000		25X40X15			3	0,000	
50	---	PISTON	1		00.00.0000		GP			3	0,000	
---	1315.334.034	PISTON	1		00.00.0000		ENTHALT.IN 1315 334 040(2)			5	0,000	
---	1315.334.063	PISTON	1		00.00.0000					5	0,000	
70	0734.307.294	SEALING RING	2		00.00.0000		49X91X7,4 FA.KACO			5	0,000	
90	0750.112.066	GUIDE RING	1		00.00.0000					3	0,000	
110	---	LOCKING NUT	1		00.00.0000		M16X1,5			3	0,000	
---	0737.006.095	LOCKING NUT	1		00.00.0000		MS16X1,5 ZFN99			5	0,000	
130	1315.334.069	CYLINDER	1		00.00.0000					5	0,000	
150	0501.317.536	PROFILE SEALING RING	1		00.00.0000					5	0,000	
210	---	HEXAGON BOLT	4		00.00.0000		M10X90			3	0,000	
---	0636.015.459	HEXAGON BOLT	4		00.00.0000		M10X90			5	55	
---	0630.001.048	WASHER	4		00.00.0000					5	3,400	
300	1296.334.004	SLIDING PAD	2		00.00.0000					5	0,000	
320	---	DETENT PLUNGER	1		00.00.0000		145N*50N.M			3	0,000	
---	1313.207.005	DETENT PLUNGER	1	C0100986 0C10	00.00.0000	00.00.0000	KPL. IN 1313 207 001(2)			3	0,000	
---	0730.008.604	SEALING RING	1	C0100986 0C10	00.00.0000	00.00.0000	A16X22			5	0,000	
400	---	SWITCH	1	Z0000428 7211	20.05.2010	20.05.2010	SCHL *45N.M*DICHTRING* BAJONETT*SCHUTZKAPPE			3	0,000	
---	0501.210.058	SWITCH	1		00.00.0000		KPL.			5	0,000	
---	0634.801.062	SEALING RING	1		00.00.0000		18X24			5	0,001	
---	0700.300.427	PROTECTING CAP	1		00.00.0000					5	0,005	
410	6029.199.111	PLUG KIT	1		00.00.0000		4POL BU DINBA AMP WINKEL			3	0,000	
/110	6029.201.618	PLUG	1		00.00.0000		KPL.4POL BU DINBA AMP WI			3	0,000	
420	1295.212.006	PIN	1		00.00.0000		KPL.			3	0,000	

VKF Incidence factor

OTK Optional technical kit

ID Identification (output code)

SP Supplier plant





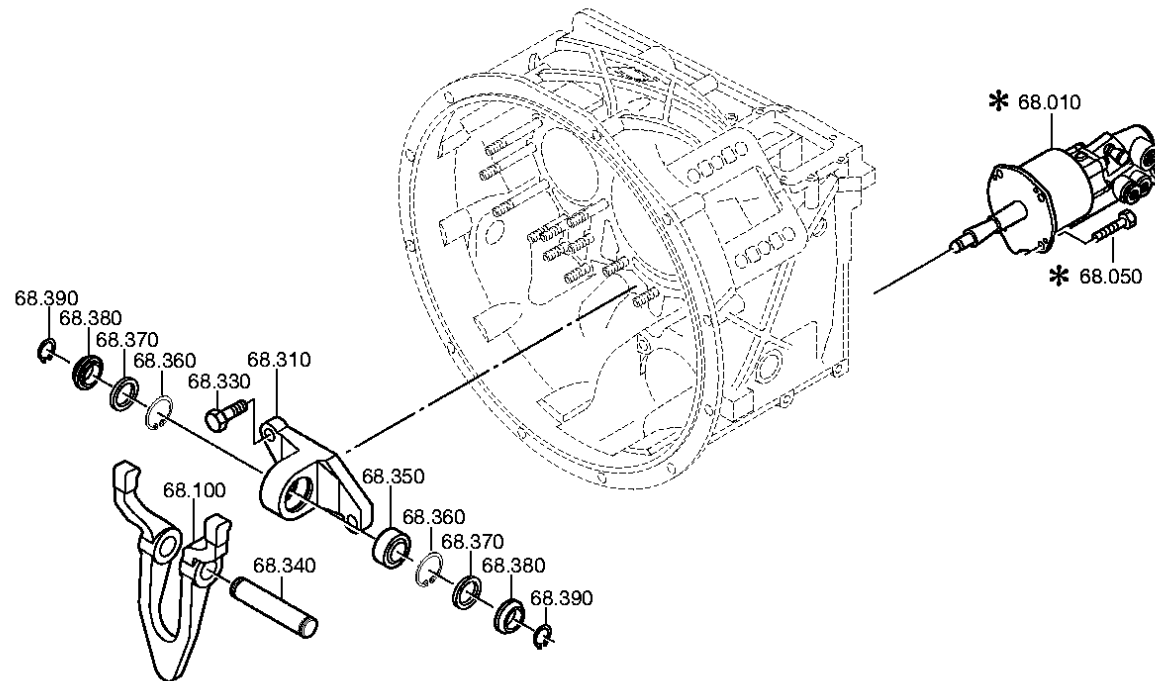
Pos.	Material number	Name	VKF	Amend. no.	Amend. start	Prod. no.	Material feature / tech. info.	OTK	External material no.	ID	Weight	SP
10	1315.245.016	PIPE	1	C0100383 3B10	00.00.0000	00.00.0000	KPL.GP RE*L=515MM*12X1,5			3	0,000	
20	---	UNION SCREW	1	C0100115 4C10	00.00.0000	00.00.0000	4 LOCH M14X1,5			3	0,000	
---	0737.835.238	UNION SCREW	1		00.00.0000					5	0,000	
---	0634.801.217	SEALING RING	1	C0100516 3C10	00.00.0000	00.00.0000	14X20			5	0,000	
30	---	UNION SCREW	1	C0100115 4C10	00.00.0000	00.00.0000	4 LOCH M14X1,5			3	0,000	
---	0737.835.238	UNION SCREW	1		00.00.0000					5	0,000	
---	0634.801.217	SEALING RING	1	C0100516 3C10	00.00.0000	00.00.0000	14X20			5	0,000	
50	1315.245.017	PIPE	1	C0100383 3B10	00.00.0000	00.00.0000	KPL.GP LI*L=532MM*12X1,5			3	0,000	
60	---	UNION SCREW	1	C0100115 4C10	00.00.0000	00.00.0000	4 LOCH M14X1,5			3	0,000	
---	0737.835.238	UNION SCREW	1		00.00.0000					5	0,000	
---	0634.801.217	SEALING RING	1	C0100516 3C10	00.00.0000	00.00.0000	14X20			5	0,000	
70	---	UNION SCREW	1	C0100115 4C10	00.00.0000	00.00.0000	4 LOCH M14X1,5			3	0,000	
---	0737.835.238	UNION SCREW	1		00.00.0000					5	0,000	
---	0634.801.217	SEALING RING	1	C0100516 3C10	00.00.0000	00.00.0000	14X20			5	0,000	
140	0659.160.081	CABLE CLIP	1	C0100665 4E10	00.00.0000	00.00.0000	4,7X210			5	0,000	

VKF Incidence factor

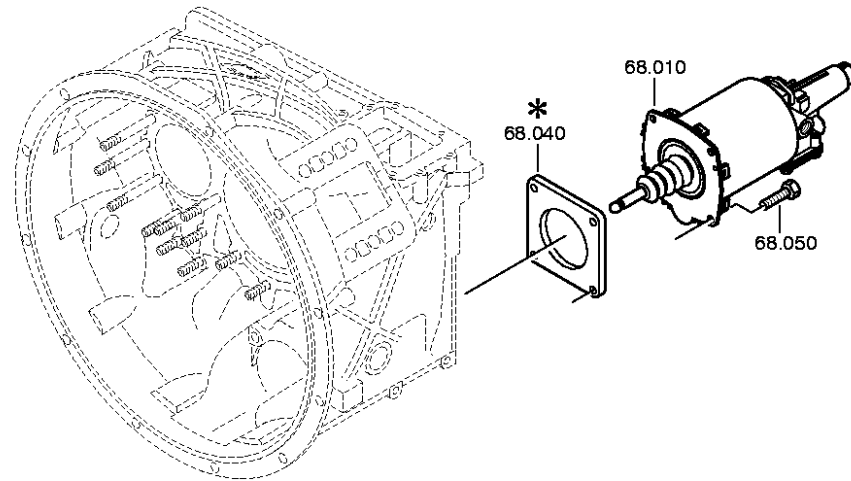
OTK Optional technical kit

ID Identification (output code)

SP Supplier plant









Pos.	Material number	Name	VKF	Amend. no.	Amend. start	Prod. no.	Material feature / tech. info.	OTK	External material no.	ID	Weight	SP
10	0501.006.570	CLUTCH CYLINDER	1	C0100737 8A10	00.00.0000	00.00.0000				5	0,000	
50	0636.015.367	HEXAGON BOLT	4		00.00.0000		M8X22			5	0,000	
100	1315.268.017	RELEASE FORK	1		00.00.0000		KPL.AUSR-GELENKLAG*SW =78			3	0,000	
310	1315.306.080	BRACKET	1		00.00.0000					5	0,000	
330	---	HEXAGON BOLT	2		00.00.0000		M12X35			3	0,000	
---	0636.011.253	HEXAGON BOLT	2		00.00.0000		M12X35			5	0,044	
340	0731.201.606	PIN	1		00.00.0000		ENTHALT.IN 0731 201 607(2)			5	0,000	
350	0635.285.037	JOINT BEARING	1		00.00.0000					5	0,000	
360	0630.502.023	RETAINING RING	2		00.00.0000		42X1,75			5	0,010	
370	0501.315.198	SEALING RING	2		00.00.0000					5	0,000	
380	6060.306.087	SEALING WASHER	2		00.00.0000					5	0,000	
390	0630.501.020	RETAINING RING	2		00.00.0000		25X1,2			5	1,800	

**VKF** Incidence factor

**OTK** Optional technical kit

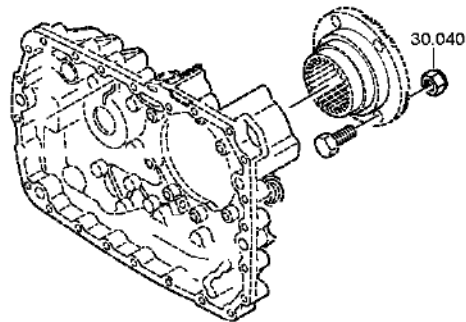
**ID** Identification (output code)

**SP** Supplier plant



Bildtafel:  
Figure: 068.94.02  
Figure:  
Figura:

---





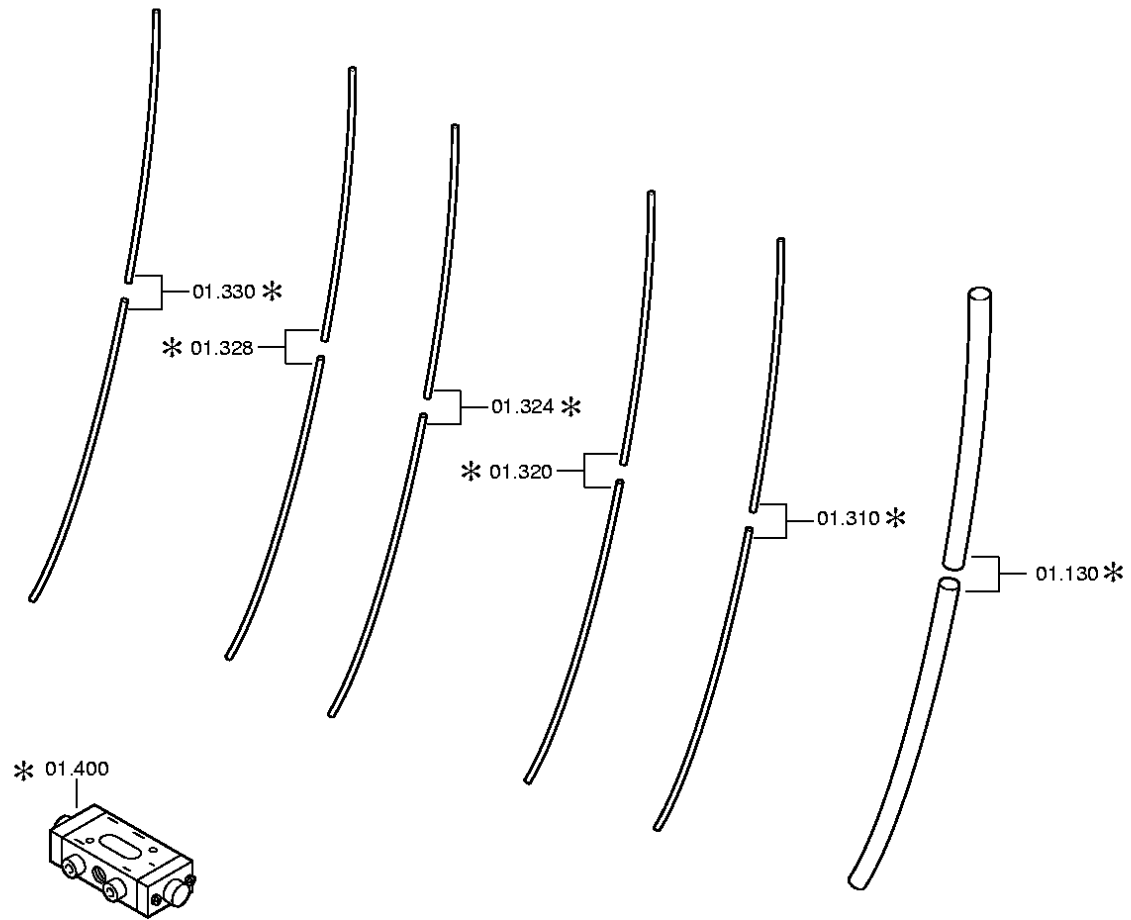
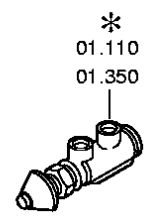
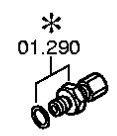
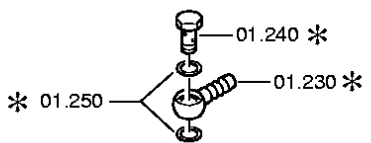
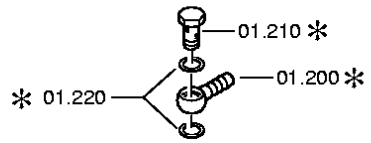
Pos.	Material number	Name	VKF	Amend. no.	Amend. start	Prod. no.	Material feature / tech. info.	OTK	External material no.	ID	Weight	SP
40	0637.011.623	HEXAGON NUT	4		00.00.0000		M14X1,5			5	0,000	

**VKF** Incidence factor

**OTK** Optional technical kit

**ID** Identification (output code)

**SP** Supplier plant





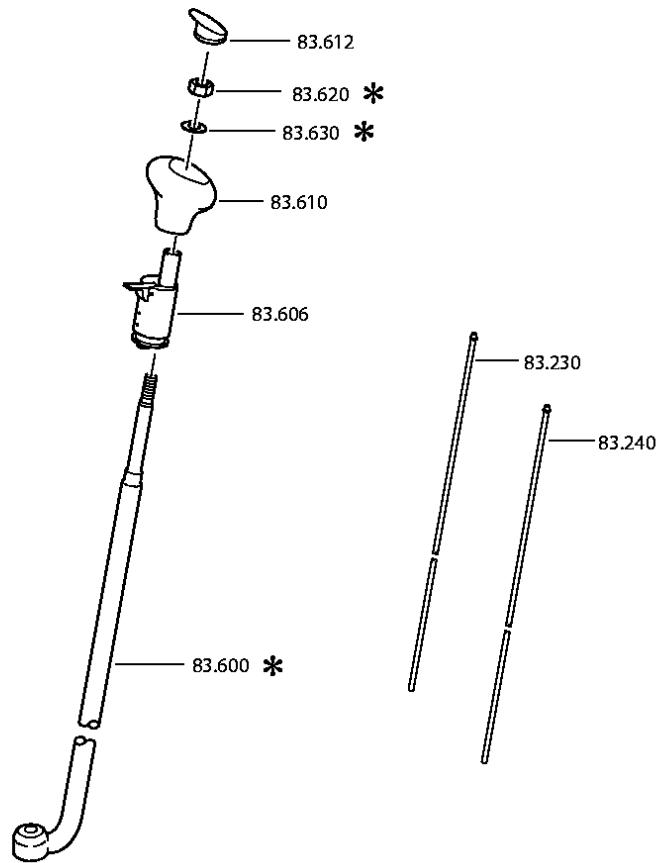
Pos.	Material number	Name	VKF	Amend. no.	Amend. start	Prod. no.	Material feature / tech. info.	OTK	External material no.	ID	Weight	SP
130	0659.145.019	SHRINKAGE HOSE	0,310		00.00.0000					5	0,000	
290	---	PIPE UNION	2		00.00.0000		M10			3	0,000	
---	0737.843.036	PIPE UNION	2		00.00.0000		M10X1			5	0,000	
---	0634.801.015	SEALING RING	2	C0100293 8C10	00.00.0000	00.00.0000	10X14			5	0,001	
310	0632.702.602	PIPE	10		00.00.0000		4X1			5	0,000	
320	0632.702.602	PIPE	10		00.00.0000		4X1			5	0,000	

**VKF** Incidence factor

**OTK** Optional technical kit

**ID** Identification (output code)

**SP** Supplier plant





Pos.	Material number	Name	VKF	Amend. no.	Amend. start	Prod. no.	Material feature / tech. info.	OTK	External material no.	ID	Weight	SP
606	0501.215.157	SHIFT VALVE	1	C0100547 8E10	00.00.0000	00.00.0000	KPL.			5	0,000	
610	6005.200.241	GEAR SHIFT KNOB	1	C0100467 7A10	00.00.0000	00.00.0000	KPL.			3	0,000	
612	6038.323.137	COVER	1		00.00.0000		ENTHALT.IN 6038 323 098(0)			5	0,000	
620	0637.006.125	HEXAGON NUT	1		00.00.0000		M10			5	10	
630	0630.001.048	WASHER	1		00.00.0000					5	3,400	

**VKF** Incidence factor

**OTK** Optional technical kit

**ID** Identification (output code)

**SP** Supplier plant